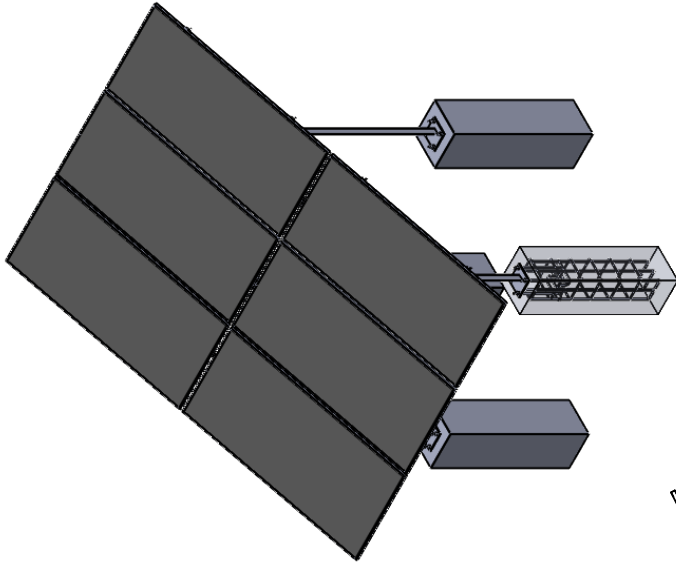
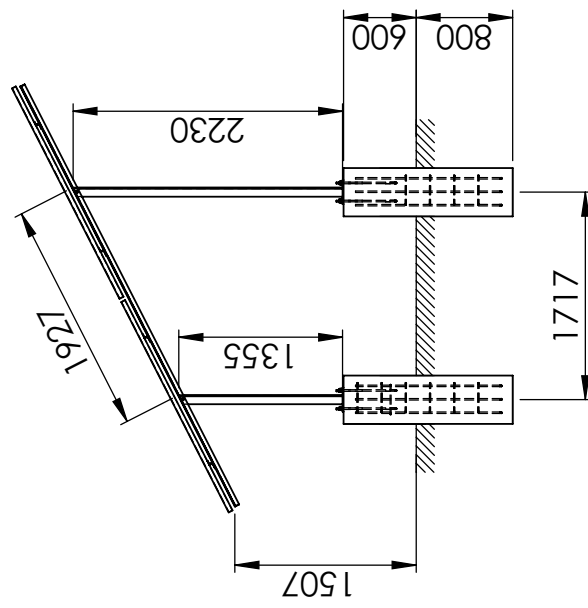
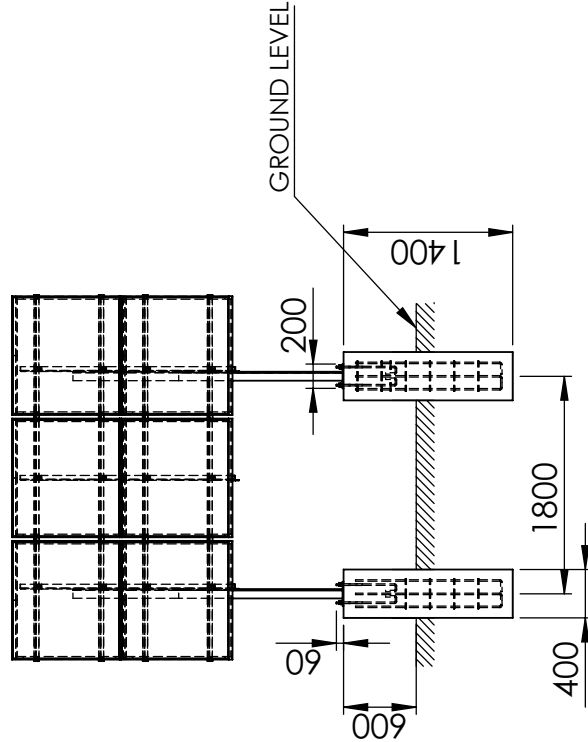
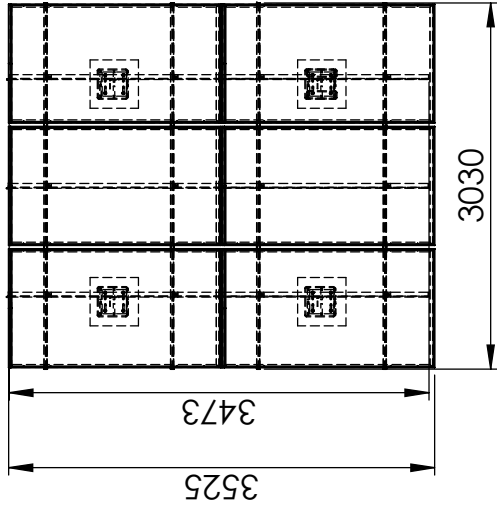
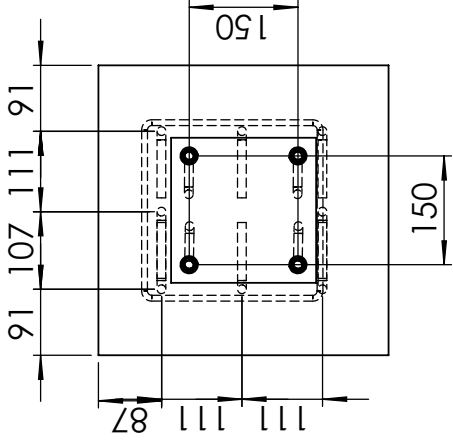
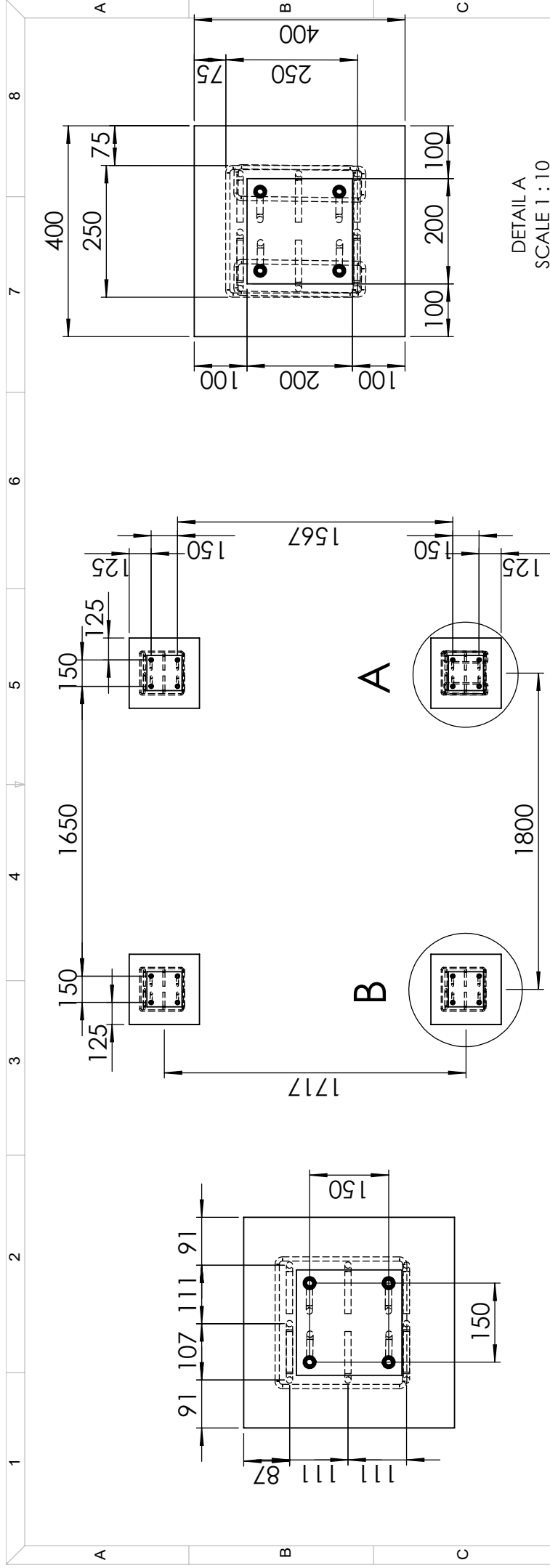


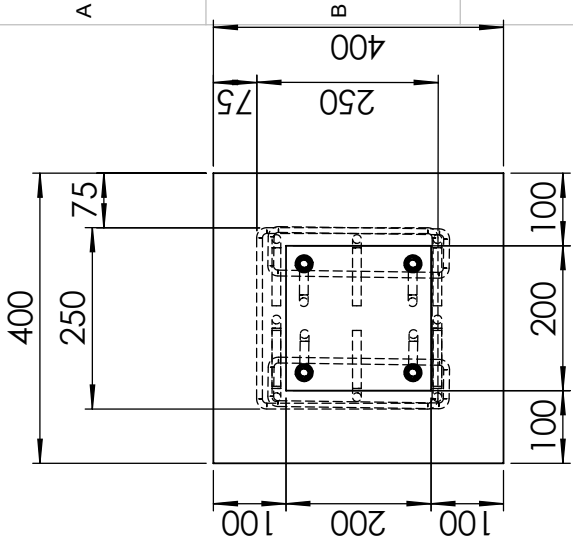
ALL DIMENSIONS ARE IN MM

**10 KW Solar System
6 Module (335Wp) Mounting
(5 set each Site)**





DETAIL A
SCALE 1 : 10

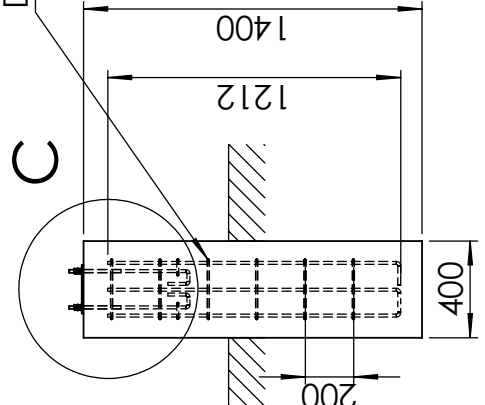
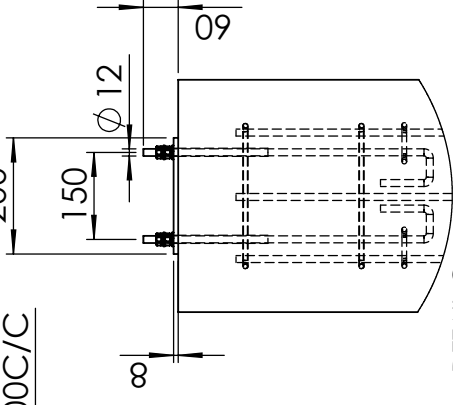


DETAIL B
SCALE 1 : 10

REBARS 8MM
DIA@200C/C

J-BOLT 12MM DIA

REBARS 12MM
DIA@111C/C



10 KW Solar System
Foundation details of 6 Module (335Wp)
Mounting Structure (5 set each Site)

Wiring diagram for 10 KW Solar system

