

NOTES

- ALL DIMENSIONS ARE IN MM UNLESS NOTED OTHERWISE.
- USE M20 GRADE CONCRETE AND F8 500 GRADE FOR STEEL.
- CLEAR COVER TO MAIN REINFORCEMENT- (a) 50MM FOR FOUNDATION (b) 25MM FOR BEAMS (c) 40MM FOR COLUMNS
- PRIOR TO AND DURING CONCRETING ALL BOLTS SHALL BE SECURELY HELD IN POSITION BY USE OF TEMPLATE.
- BEFORE COMMENCEMENT OF CONSTRUCTION USING THIS DESIGN, CLIENT/CONTRACTOR SHALL CARRY OUT DETAILED SOIL INVESTIGATION OF EVERY SITE.
- THIS FOUNDATION DESIGN SHALL NOT BE USED IN CASE HIGHLY SOIL ARE FOUND AT ANY DEPTH DURING SOIL INVESTIGATION.
- CONCRETE SHALL BE MECHANICALLY MIXED & VIBRATED.
- SPACING OF BARS SHALL NOT BE MORE THAN 50% AT ANY LOCATION.
- PROPER CURING OF CONCRETE SHALL BE DONE.
- BENDING OF BARS SHALL BE AS PER IS:2502.
- ANY DISCREPANCY SHOULD BE BROUGHT TO THE CONSULTANT'S ATTENTION.

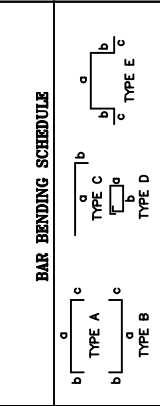
GENERAL DETAILS

S.No	DESCRIPTION	DETAILS
1	SOIL BEARING CAPACITY	10.00 T/SQM
2	DRY DENSITY OF SOIL	1.8 T/SQM
3	ANGLE OF REPOSE	30.00 DEGREE

BILL OF MATERIALS

ITEM	UNIT	TOTAL
EXCAVATION	CUM	43.6
PCC-(1:4:8)	CUM	1.95
RCC-M20	CUM	7.34
STEEL-F8500	KG	680

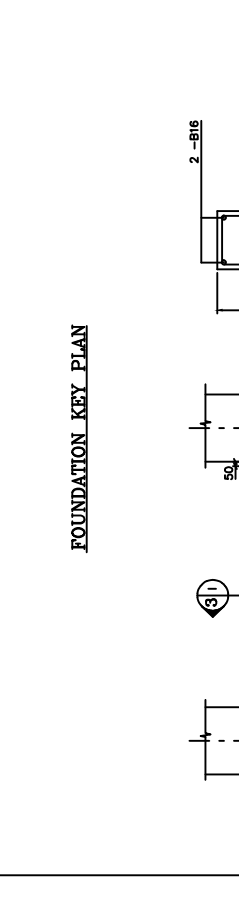
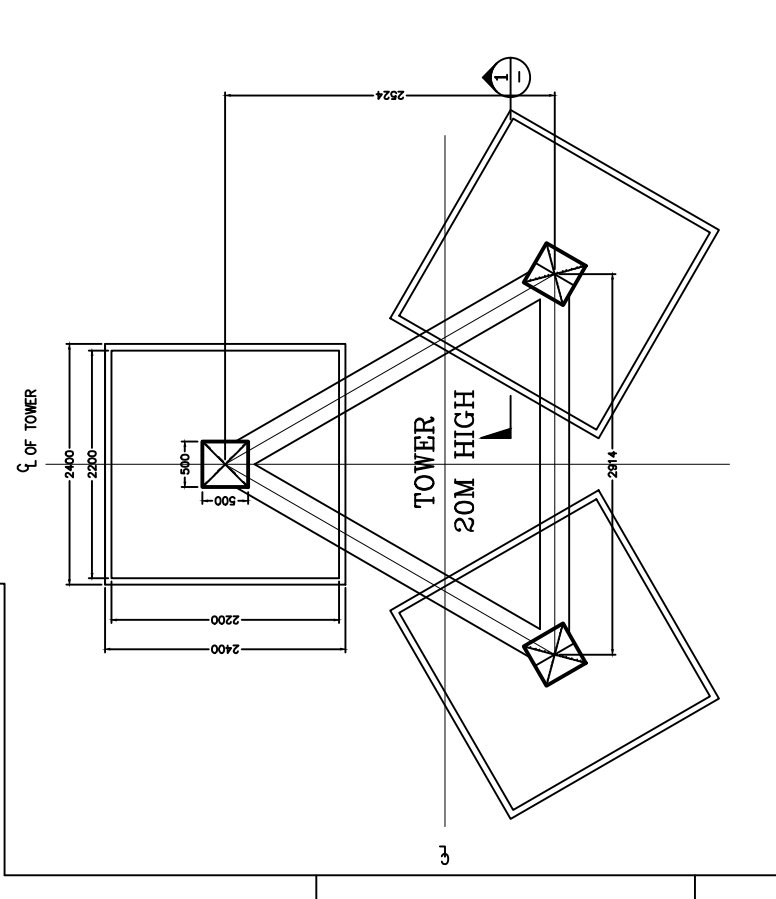
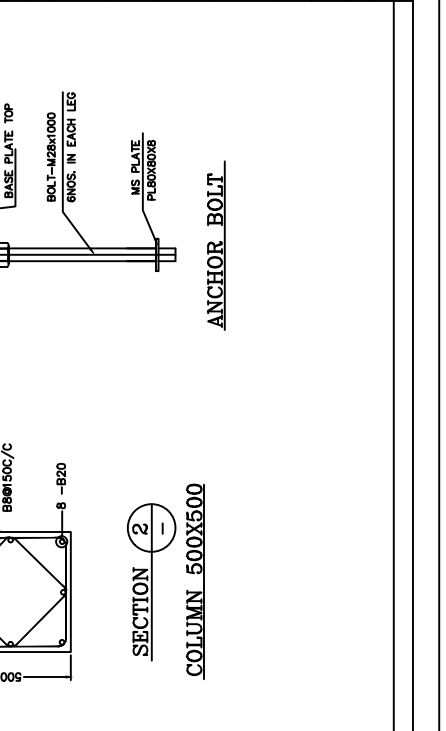
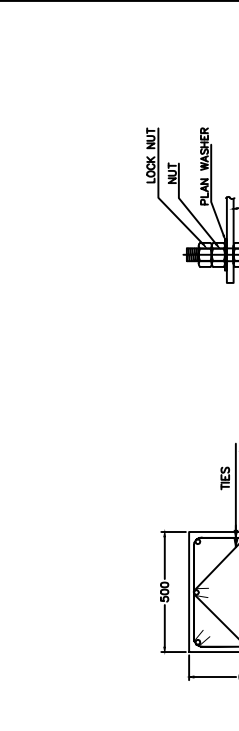
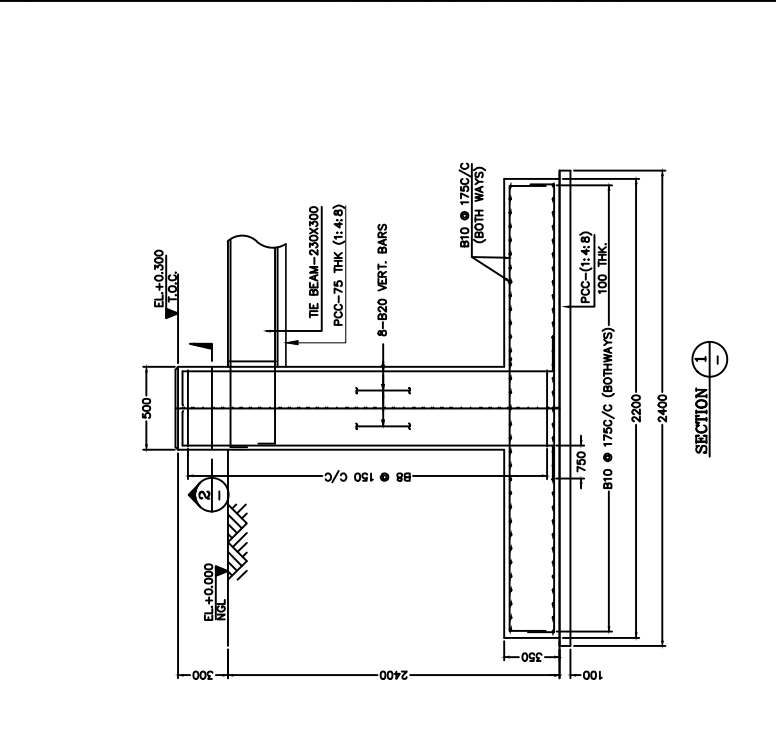
CHAIRS SHALL BE PROVIDED WHEREVER REQUIRED



REVISION NOTES

REV. NO.	DESCRIPTION	DATE	SIGN.
DRAWN	CHECKED	APPROVED	DATE
Bhutan Telecom	Bhutan Telecom	Bhutan Telecom	14-12-2023

CLIENT: BHUTAN TELECOM LTD.
 DESIGN BY: BHUTAN TELECOM LTD.
 PROJECT: GENERIC ISOLATED FOUNDATION DESIGN
 TITLE: FOUNDATION DETAILS FOR 20M HIGH TRIANGULAR TOWER
 SBC : 10 T/SQM
 DRAWING No. SH. NO. REV.
 BT-2024 Project



STIRRUP DETAILS
 S1: -2 LEGGED Y8 @ 100 C/C
 S2: -2 LEGGED Y8 @ 200 C/C