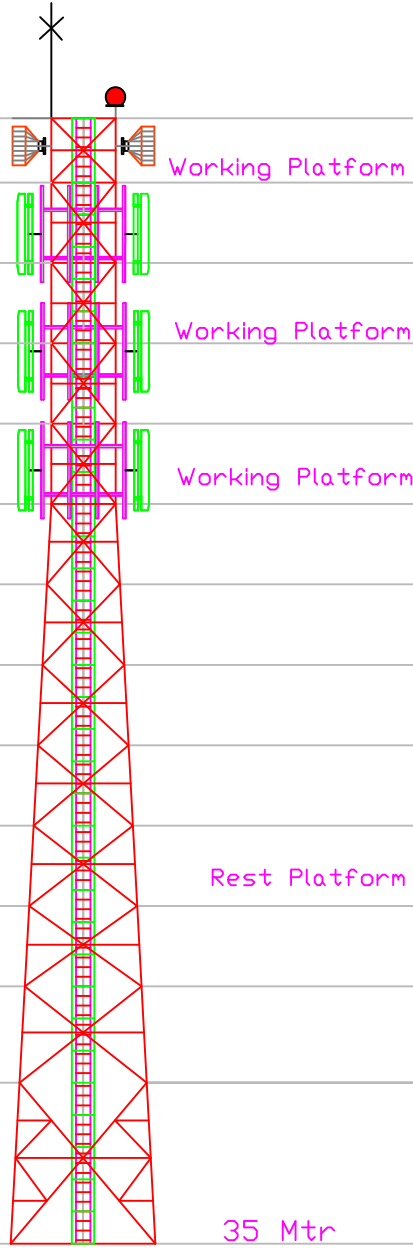
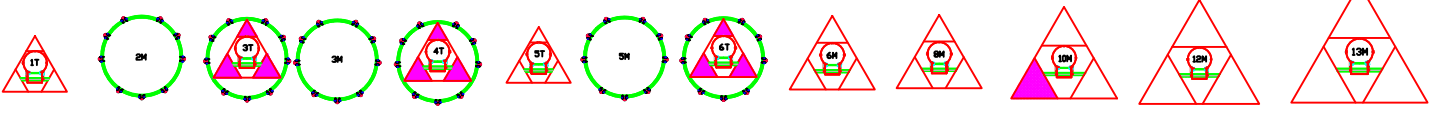


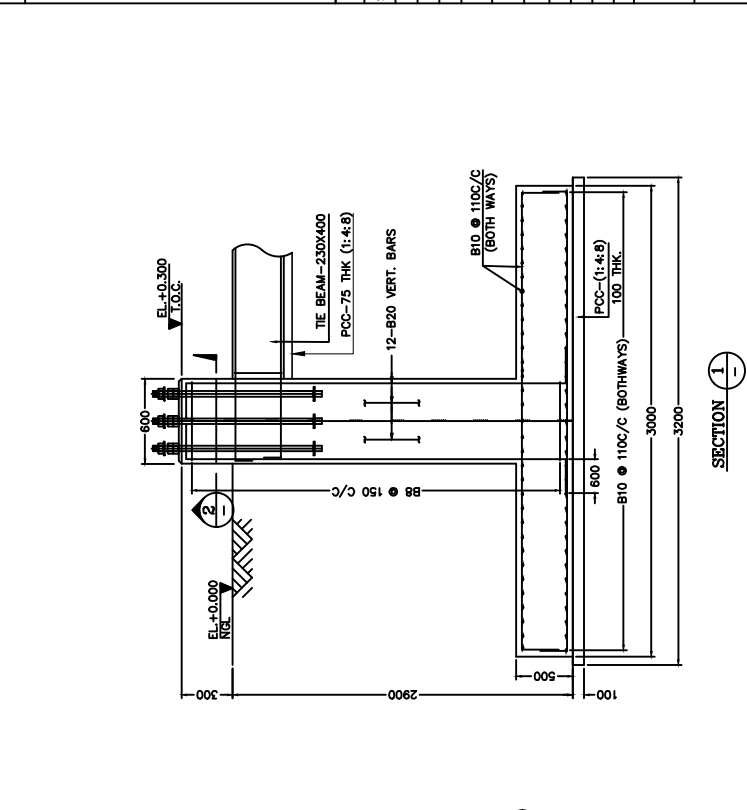
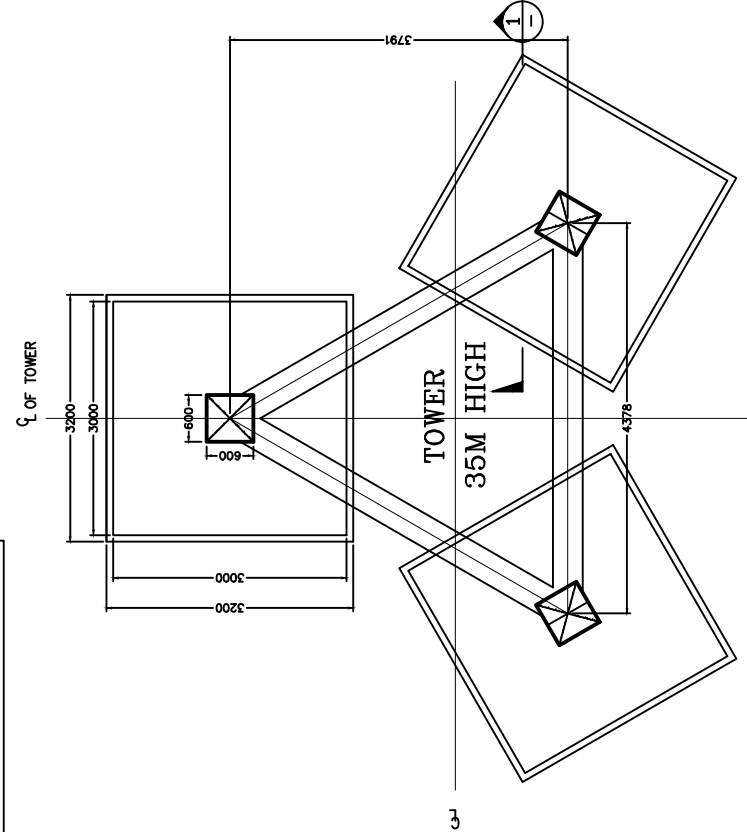
LEVEL	35000	2000	35000	2000	30500	2000	28000	2000	25500	2000	23000	2272	20500	2543	18000	2815	15500	3087	13000	3359	10500	3630	8000	3957	5000	4500	0000	
FACE WIDTH	2000	2000	2000	2000	2000	2000	2000	2000	2000	2000	2000	2000	2000	2000	2000	2000	2000	2000	2000	2000	2000	2000	2000	2000	2000	2000	2000	2000
PLATFORM		Working Platform		Working Platform		Working Platform														Rest Platform								
LEG JOINT NAME	A	B	C	D	E	F	G	H	I																			
LEG LENGTH	2000	2500	2500	2500	2503	2503	2503	2503	2503	3004	5006																	
LEGS SIZE	65x65x6	75x75x6	100x8	100x10	120x120x10	130x130x12	150x150x12	150x150x16																				
PANEL NO	1	2	3	4	5	6	7	8	9	10	11	12	13															
LENGTH (METER)	2	2.5	2.5	2.5	2.5	2.5	2.5	2.5	2.5	2.5	3	5																
DIAGONALS	50x50x4	50x50x4	50x5	60x5	55x55x5	55x55x5	55x55x5	60x60x5	70x70x5																			
PANEL TOP- HORIZONTALS	50x50x4	50x50x4																										
PANEL MID- HORIZONTALS	45x45x04	45x45x04	50x50x4	50x50x4	50x50x4	50x50x4	50x50x4	50x50x4	50x50x4	50x50x4	50x50x4	50x50x4	50x50x4	50x50x4	50x50x4	50x50x4	50x50x4	50x50x4	50x50x4	50x50x4	50x50x4	50x50x4	50x50x4	50x50x4	50x50x4	50x50x4	50x50x4	50x50x4
PLAN BRACING		50x50x4																										
SEC. BRACING																												



PLAN VIEWS



1) Remote Radio Head- 12nos (Top 20m to 35m Height) (Total Weight 315kgs.) 2) Sectoral Antennas - 12nos (Top 20m to 40m Height) (Total Weight 303kgs.) 3) Microwave Antennas 0.6m-4nos (Top 25m to 30m Height) (Total Weight 100kgs.) 4) Microwave Antennas 0.9m-3nos (Top 20m to 35m Height) (Total Weight 90kgs.) 5) Microwave Antennas 1.2m-2nos (Top 20m to 25m Height) (Total Weight 60kgs.) 6) Microwave Antennas 1.8m-1nos (Top 20m to 25m Height) (Total Weight 40kgs.) 3) Antennas Mounting Structure (Total Weight 360kgs.)	TITLE	35 METER TOWER	Wind Speed	180 KMPH	Design	TIA/EIA-222 G
	SUB. TITLE	TRIANGULAR ANGULAR TOWER	Deflection	< 1.0 Degree	Rev:	
	Drawing	BT - 2024 Project	Loading	1268 kgs.	Drawn Date	08-12-2023
	BHUTAN TELECOM LTD			Tower Weight 7750 kgs.		



- NOTES**
1. ALL DIMENSIONS ARE IN MM UNLESS NOTED OTHERWISE.
 2. USE M20 GRADE CONCRETE AND F_y 500 GRADE FOR STEEL.
 3. CLEAR COVER TO MAIN REINFORCEMENT:-
(a) 50MM FOR FOUNDATION (b) 25MM FOR BEAMS
(c) 40MM FOR COLUMNS
 4. PRIOR TO AND DURING CONCRETING ALL BOLTS SHALL BE SECURELY HELD IN POSITION BY USE OF TEMPLATE.
 5. BEFORE COMMENCEMENT OF CONSTRUCTION USING THIS DESIGN, CLIENT/CONTRACTOR SHALL CARRY OUT DETAILED SOIL INVESTIGATION OF EVERY SITE.
 6. THIS FOUNDATION DESIGN SHALL NOT BE USED IN CASE HIGHLY SOIL ARE FOUND AT ANY DEPTH DURING SOIL INVESTIGATION.
 7. CONCRETE SHALL BE MECHANICALLY MIXED & VIBRATED.
 8. SPLICING OF BARS SHALL NOT BE MORE THAN 50% AT ANY LOCATION.
 9. PROPER CURING OF CONCRETE SHALL BE DONE.
 10. BENDING OF BARS SHALL BE AS PER IS:2502.
 11. ANY DISCREPANCY SHOULD BE BROUGHT TO THE CONSULTANTS' ATTENTION.

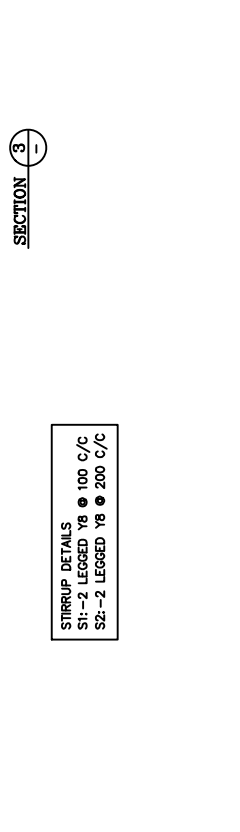
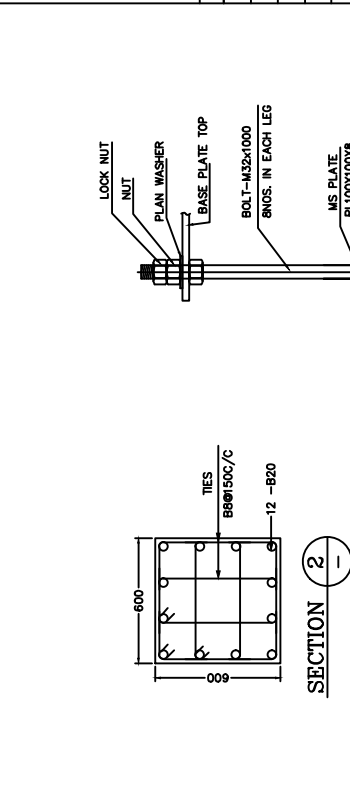
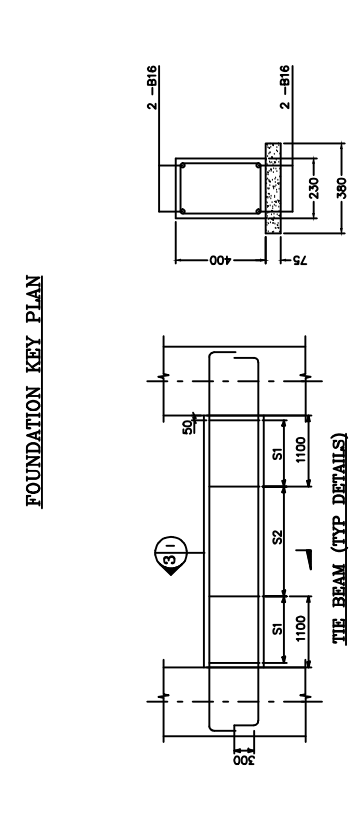
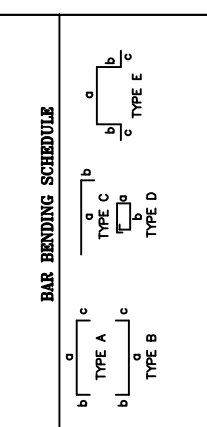
GENERAL DETAILS

S.No	DESCRIPTION	DETAILS
1	SOIL BEARING CAPACITY	10.00 T/SQM
2	DRY DENSITY OF SOIL	1.8 T/SQM
3	ANGLE OF REPOSE	30.00 DEGREE

BILL OF MATERIALS

ITEM	UNIT	TOTAL
EXCAVATION	CUM	93.0
PCC-(1:4:8)	CUM	3.40
RCC-M20	CUM	17.46
STEEL-F _y 500	KG	1460

CHAIRS SHALL BE PROVIDED WHEREVER REQUIRED



REVISION NOTES

REV. NO.	DESCRIPTION	DATE	SIGN.

DRAWN	CHECKED	APPROVED	DATE	SCALE
Bhutan Telecom	Bhutan Telecom	Bhutan Telecom	14-12-2023	NTS

CLIENT: BHUTAN TELECOM LTD.

DESIGN BY: BHUTAN TELECOM LTD.

PROJECT: GENERIC ISOLATED FOUNDATION DESIGN BHUTAN

TITLE: FOUNDATION DETAILS FOR 35M HIGH TRIANGULAR TOWER SBC : 10 T/SQM

DRAWING No. SH. NO. REV.

BT-2024 Project

STIRRUP DETAILS
S1--2 LEGGED Y8 Ø 100 C/C
S2--2 LEGGED Y8 Ø 200 C/C