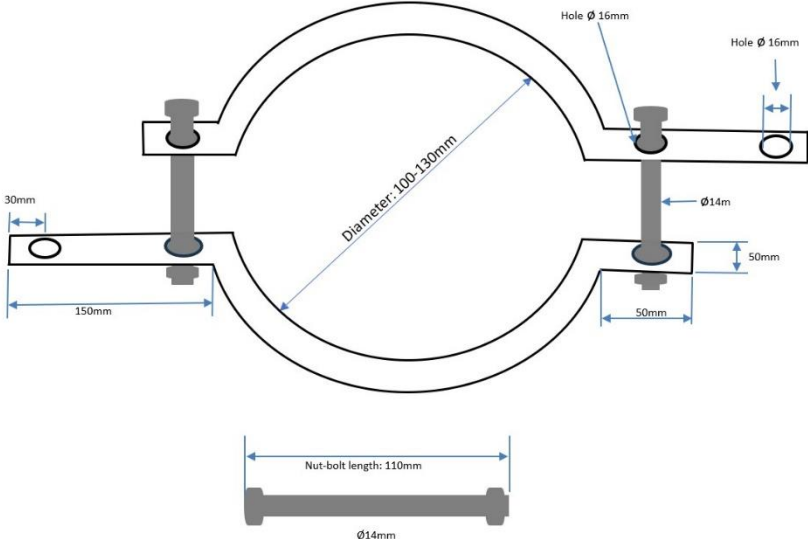
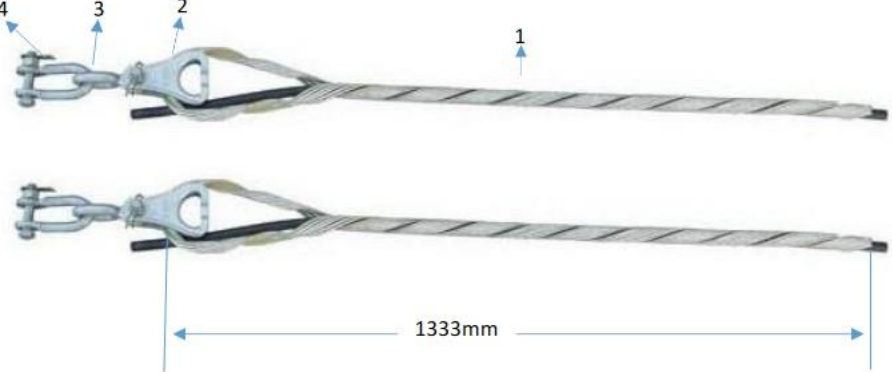

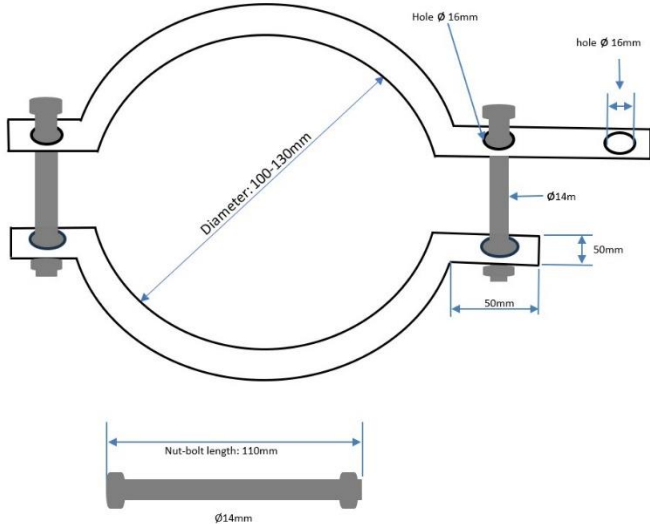


**Part-I-A) ADSS Tensioner Assembly Clamp Set: (A1, A2, & A3)**

Sl-No	Description	Sketch																									
A1	<p>Pole clamp (double arm)/pole attached bracket:</p> <ul style="list-style-type: none"> <li>✓ Suitable for pole diameter of 100mm to 130mm,</li> <li>✓ Sheet thickness= 5mm &amp; flatness/width=50mm,</li> <li>✓ Hot dip galvanized surface treatment,</li> <li>✓ All dimensions are in millimeter,</li> </ul>	<p style="text-align: center;"><u>ADSS Tensioner Assembly Pole clamp set : Part-I</u></p> 																									
A2	<p>Tension string for ADSS:</p> <table border="1" data-bbox="239 841 833 1003"> <thead> <tr> <th>Item</th> <th>Qty</th> <th>Description</th> <th>Type</th> <th>Material</th> </tr> </thead> <tbody> <tr> <td>1</td> <td>2 nos</td> <td>Tension rod/Grip</td> <td>ANY 1500-150</td> <td>AL Clad Steel</td> </tr> <tr> <td>2</td> <td>2 nos</td> <td>Clevis Thimble</td> <td>TC-2</td> <td>Galv. steel</td> </tr> <tr> <td>3</td> <td>2</td> <td>Eye chain Link</td> <td></td> <td>Galv. steel</td> </tr> <tr> <td>4</td> <td>2</td> <td>Bow Shackle</td> <td>U-4</td> <td>Galv. steel</td> </tr> </tbody> </table> <ul style="list-style-type: none"> <li>✓ Tension rod should hold the cable diameter from 14.5mm to 17mm,</li> <li>✓ Length of Tension rod=1333mm,</li> <li>✓ Maximum Tensile force&gt;15kN,</li> <li>✓ Application span=300 meters,</li> <li>✓ Grip strength=95% RTs,</li> <li>✓ All ferrous parts are hot dip galvanized,</li> <li>✓ All dimensions are in millimeter,</li> </ul>	Item	Qty	Description	Type	Material	1	2 nos	Tension rod/Grip	ANY 1500-150	AL Clad Steel	2	2 nos	Clevis Thimble	TC-2	Galv. steel	3	2	Eye chain Link		Galv. steel	4	2	Bow Shackle	U-4	Galv. steel	
Item	Qty	Description	Type	Material																							
1	2 nos	Tension rod/Grip	ANY 1500-150	AL Clad Steel																							
2	2 nos	Clevis Thimble	TC-2	Galv. steel																							
3	2	Eye chain Link		Galv. steel																							
4	2	Bow Shackle	U-4	Galv. steel																							

A3	<p><b>ADSS spiral vibration Damper:</b></p> <ul style="list-style-type: none"> <li>✓ Suitable for cable diameter of 14.5mm to 17mm,</li> <li>✓ Length: 1651mm,</li> <li>✓ Material: UV resistant PVC,</li> <li>✓ Diameter: 12mm</li> </ul>	
----	--	---

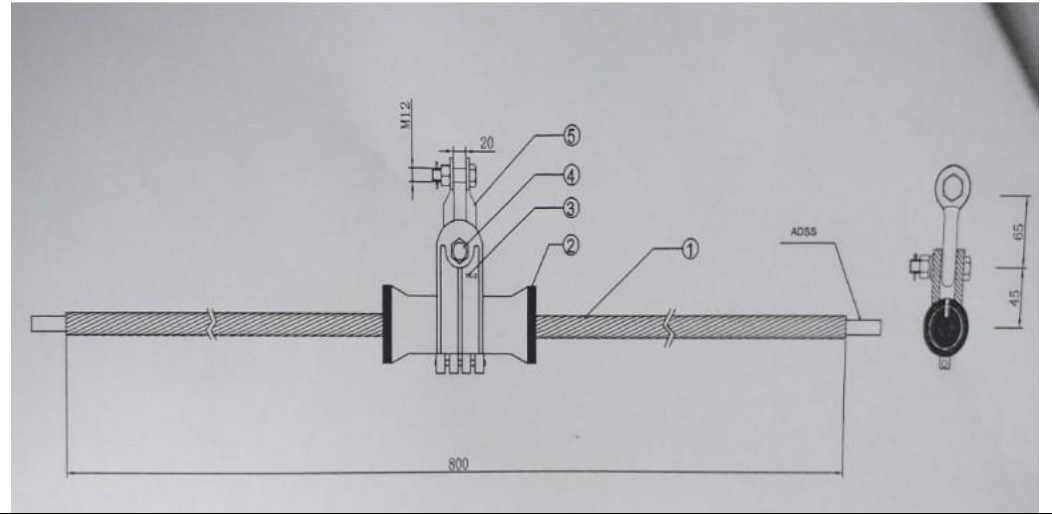
Part-I-B) ADSS Suspension Assembly clamp set: (B1 & B2)

B1	<p><b>Pole clamp (Single arm)/pole attached bracket:</b></p> <ul style="list-style-type: none"> <li>✓ Suitable for pole diameter of 100mm to 130mm,</li> <li>✓ Sheet thickness= 5mm &amp; flatness/width=50mm,</li> <li>✓ Hot dip galvanized surface treatment,</li> <li>✓ All dimensions are in millimeter,</li> </ul>	<p><u>ADSS Suspension Assembly Pole clamp set : Part-I</u></p> 
----	---	---

B2 Suspension clamp

Item	Qty	Description	Type	Material
1	1	Suspension rod	AXY 1500-100	AL clad steel
2	2	Rubber	XJ	Rubber
3	1	Cast Alloy clamp	TK-3	Al Alloy
4	1	Bolt	M12*65	Galv. Steel
5	1	Bow shackle	U-4	Galv. steel

- ✓ Application of span: 300 meters,
- ✓ Range of Cable diameter=14.5mm-17mm,
- ✓ Grip strength>15% RTS,
- ✓ All ferrous parts are hot dip galvanized,
- ✓ All dimensions are in millimeter.



Part-I-C)-ADSS Cross Arm

C

1) **Cross Arm (SYLJ-660-G)**

- ✓ Sheet Thickness: 4mm
- ✓ Length=700mm
- ✓ Width=40mm
- ✓ Hot Galvanized metal,

2) **With steel bend fastener:**

Length=3 meters/set  
Width=18mm,  
Thickness=0.7mm

3) **Steel Locks =4 nos/set**

Sheet thickness of steel lock=1mm

