
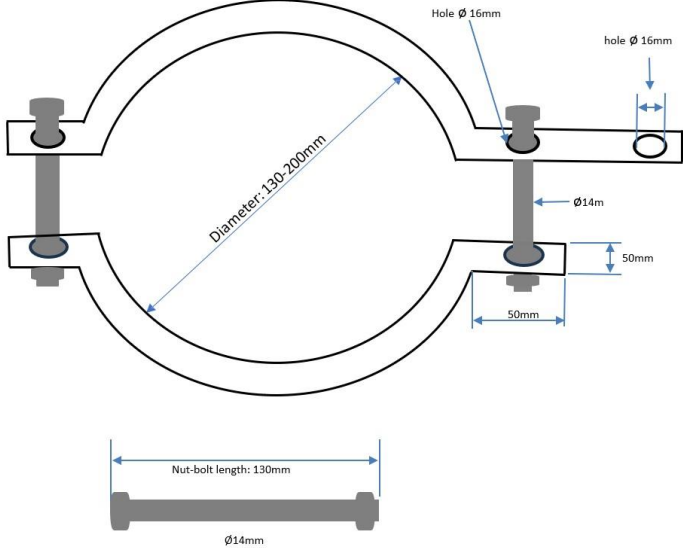


Part-II-A)-ADSS Tensioner Assembly Clamp Set: (A1, A2, & A3)

Sl-No	Description	Sketch																									
A1	<p>Pole clamp (double arm)/pole attached bracket:</p> <ul style="list-style-type: none"> ✓ Suitable for pole diameter of 130mm to 200mm, ✓ Sheet thickness= 5mm & flatness/width=50mm, ✓ Hot dip galvanized surface treatment, ✓ All dimensions are in millimeter, 	<p style="text-align: center;"><u>ADSS Tensioner Assembly Pole Clamp set : Part-II</u></p>																									
A2	<p>Tension string for ADSS:</p> <table border="1" data-bbox="239 914 653 1232"> <thead> <tr> <th>Item</th> <th>Qty</th> <th>Description</th> <th>Type</th> <th>Material</th> </tr> </thead> <tbody> <tr> <td>1</td> <td>2 nos</td> <td>Tension rod/Grip</td> <td>ANY 1500-150</td> <td>AL Clad Steel</td> </tr> <tr> <td>2</td> <td>2 nos</td> <td>Clevis Thimble</td> <td>TC-2</td> <td>Galv. steel</td> </tr> <tr> <td>3</td> <td>2</td> <td>Eye chain Link</td> <td></td> <td>Galv. steel</td> </tr> <tr> <td>4</td> <td>2</td> <td>Bow Shackle</td> <td>U-4</td> <td>Galv. steel</td> </tr> </tbody> </table> <ul style="list-style-type: none"> ✓ Tension rod should hold the cable diameter from 17mm to 20mm, ✓ Length of Tension rod=1333mm, ✓ Maximum Tensile force>15kN, ✓ Application span=300 meters, ✓ Grip strength=95% RTs, ✓ All ferrous parts are hot dip galvanized, ✓ All dimensions are in millimeter, 	Item	Qty	Description	Type	Material	1	2 nos	Tension rod/Grip	ANY 1500-150	AL Clad Steel	2	2 nos	Clevis Thimble	TC-2	Galv. steel	3	2	Eye chain Link		Galv. steel	4	2	Bow Shackle	U-4	Galv. steel	
Item	Qty	Description	Type	Material																							
1	2 nos	Tension rod/Grip	ANY 1500-150	AL Clad Steel																							
2	2 nos	Clevis Thimble	TC-2	Galv. steel																							
3	2	Eye chain Link		Galv. steel																							
4	2	Bow Shackle	U-4	Galv. steel																							

A3	<p>ADSS spiral vibration Damper:</p> <ul style="list-style-type: none"> ✓ Suitable for cable diameter of 17mm to 20mm, ✓ Length: 1651mm, ✓ Material: UV resistant PVC, ✓ Diameter: 12mm 	
----	--	---

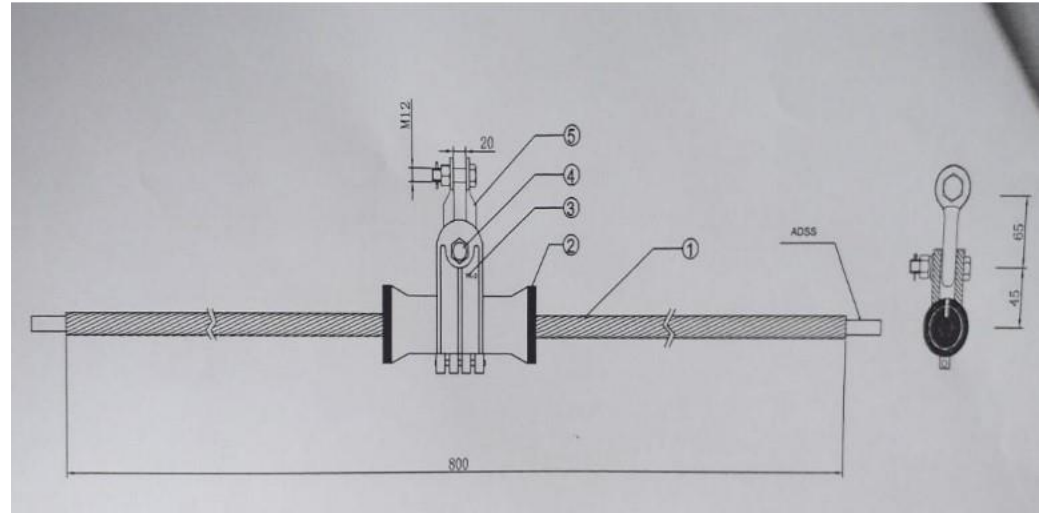
Part-II-B) ADSS Suspension Assembly clamp set: (B1 & B2)

B1	<p>Pole clamp (Single arm)/pole attached bracket:</p> <ul style="list-style-type: none"> ✓ Suitable for pole diameter of 130mm to 200mm, ✓ Sheet thickness= 5mm & flatness/width=50mm, ✓ Hot dip galvanized surface treatment, ✓ All dimensions are in millimeter, 	<p><u>ADSS Suspension Assembly Pole clamp set : Part-II</u></p> 
----	---	---

B2 Suspension clamp

Item	Qty	Description	Type	Material
1	1	Suspension rod	AXY 1500-100	AL clad steel
2	2	Rubber	XJ	Rubber
3	1	Cast Alloy clamp	TK-3	Al Alloy
4	1	Bolt	M12*65	Galv. Steel
5	1	Bow shackle	U-4	Galv. steel

- ✓ Application of span: 300 meters,
- ✓ Range of Cable diameter=17mm-20mm,
- ✓ Grip strength>15% RTS,
- ✓ All ferrous parts are hot dip galvanized,
- ✓ All dimensions are in millimeter.



Part-II-C)-ADSS Cross Arm

C

1) **Cross Arm (SYLJ-660-G)**

- ✓ Sheet Thickness: 4mm
- ✓ Length=700mm
- ✓ Width=40mm
- ✓ Hot Galvanized metal,

2) **With steel bend fastener:**

Length=3 meters/set
Width=18mm,
Thickness=0.7mm

3) **Steel Locks =4 nos/set**

Sheet thickness of steel lock=1mm

