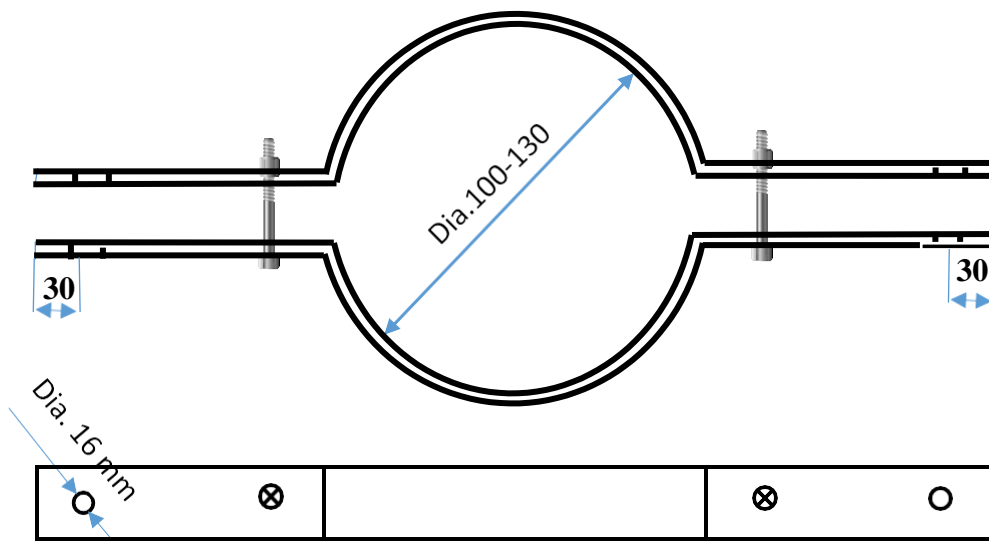
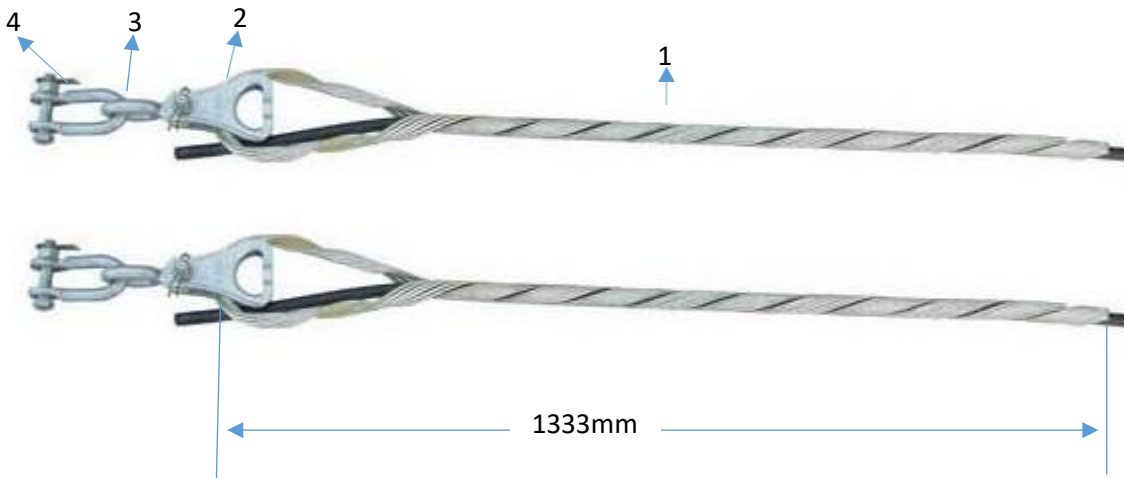
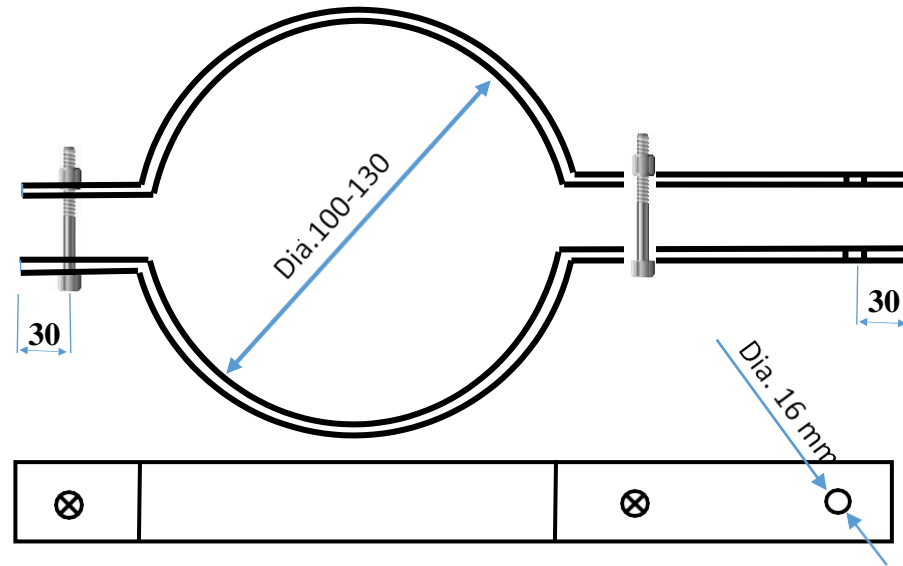


SI-No	Description	Sketch																									
A	ADSS Tension Assembly set: (A1+A2) A1 Pole clamp double (pole attached bracket) BG-90 <ul style="list-style-type: none"> ✓ Suitable for pole diameter : 100mm-130mm, ✓ Hot dip galvanised surface treatment, ✓ All dimensions are in millimeters, 																										
A2	<p>Tension string for ADSS (ANY 1500 150)</p> <table border="1" data-bbox="309 861 851 1109"> <thead> <tr> <th>Item</th> <th>Qty</th> <th>Description</th> <th>Type</th> <th>Material</th> </tr> </thead> <tbody> <tr> <td>1</td> <td>2#</td> <td>Tension rods</td> <td>ANY 1500 150</td> <td>AL clad steel</td> </tr> <tr> <td>2</td> <td>2#</td> <td>Clevis Thimble</td> <td>TC-2</td> <td>Galv. Steel</td> </tr> <tr> <td>3</td> <td>2#</td> <td>Eye chain Link</td> <td></td> <td>Galv. Steel</td> </tr> <tr> <td>4</td> <td>2#</td> <td>Bow shackle</td> <td>U-4</td> <td>Galv. steel</td> </tr> </tbody> </table> <ul style="list-style-type: none"> ✓ Tension rods/Tension Guy grip should hold cable diameter from 14.3mm to 15.3mm, ✓ Length of Tension Guy Grip=1333mm ✓ Maximum tensile force>13kN, ✓ Application Span:200 meter, ✓ Grip strength: 95% RTS, ✓ All ferrous parts are hot dip galvanised, ✓ All dimensions are in millimetres, 	Item	Qty	Description	Type	Material	1	2#	Tension rods	ANY 1500 150	AL clad steel	2	2#	Clevis Thimble	TC-2	Galv. Steel	3	2#	Eye chain Link		Galv. Steel	4	2#	Bow shackle	U-4	Galv. steel	
Item	Qty	Description	Type	Material																							
1	2#	Tension rods	ANY 1500 150	AL clad steel																							
2	2#	Clevis Thimble	TC-2	Galv. Steel																							
3	2#	Eye chain Link		Galv. Steel																							
4	2#	Bow shackle	U-4	Galv. steel																							

B Suspension Assembly set: (B1+B2)

B1 Pole clamp single (pole attached bracket) BG-90

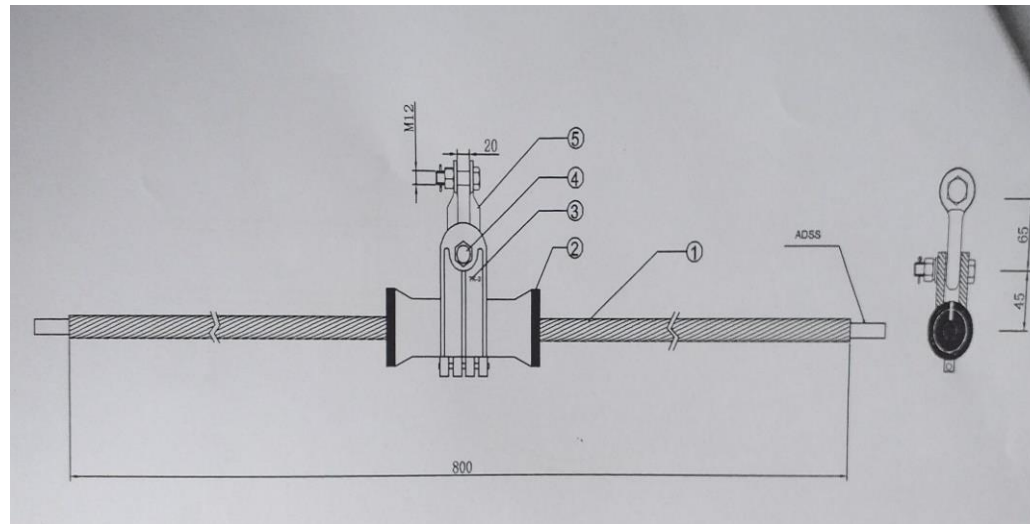
- ✓ Suitable for pole diameter : 100mm-130mm,
- ✓ Hot dip galvanised surface treatment,
- ✓ All dimensions are in millimeters,




B2 ADSS Suspension clamps (AXY 1500 100)

Item	Qty	Description	Type	Material
1	1	Suspension rod	AXY 1500 100	AL clad steel
2	2	Rubber	XJ	Rubber
3	1	Cast Alloy clamp	TK-3	AL Alloy
4	1	Bolt	M12*65	Galv.steel
5	1	Bow Shackle	U-4	Galv.steel

- ✓ Application of span: 200 meter
- ✓ Range of Cable diameter:14.8 to 15.3mm,
- ✓ Grip strength>14%RTS
- ✓ All ferrous parts are hot dip galvanised,
- ✓ All dimensions are in millimetres,



C	<p>Cross Arm (SYLJ-660-G)</p> <ul style="list-style-type: none">✓ Sheet Thickness: 2mm✓ Pole diameter range 100mm to 200mm,✓ Hot Galvanized metal,✓ With steel bend fastener & Locks	
D	<p>ADSS Spiral Vibration Damper:</p> <ul style="list-style-type: none">✓ Suitable for cable diameter :14.3mm to 19.55mm,✓ Length : 1651mm,✓ Material: UV Resistant PVC✓ Diameter of Damper: 12mm	