



འབྲུག་གྲོག་མེ་ལས་འཛིན།

Bhutan Power Corporation Limited
(An ISO 9001:2015, ISO 14001:2015 & ISO 45001:2018 Certified Company)
Registered Office, Thimphu
Procurement Services Department
Thimphu: Bhutan



BPC/PSD/2022 Materials/2021/29/011

October 6, 2021

Subject: Addendum No. 1

Reference: BPC/PSD/2022 Materials/2021/29 dated September 29, 2021 for the Supply and Delivery of Electrical Materials and Safety Belts.

Dear Sir(s),

This is in reference to the above-mentioned tender whereby PSD, BPC would like to issue the following addendum -1:

- a. The Wiring Diagram of Item No. 2.2 (Change Over Switch, 800 Amps, 3Ø, 4 way) under Lot No. 2 (ARCB) is attached as **Annexure 1**.
- b. The Price Schedule of Lot No. 3 (Transformers) has been revised and is attached as **Annexure 2**.

This addendum shall form a part of the bidding document and shall be binding.

However, due to the above inclusion and additional information, no time extension shall be granted and the submission date and time shall remain unaltered.

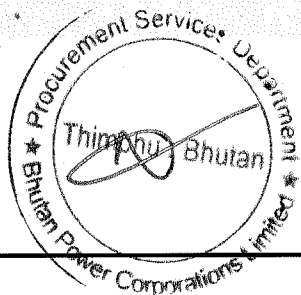
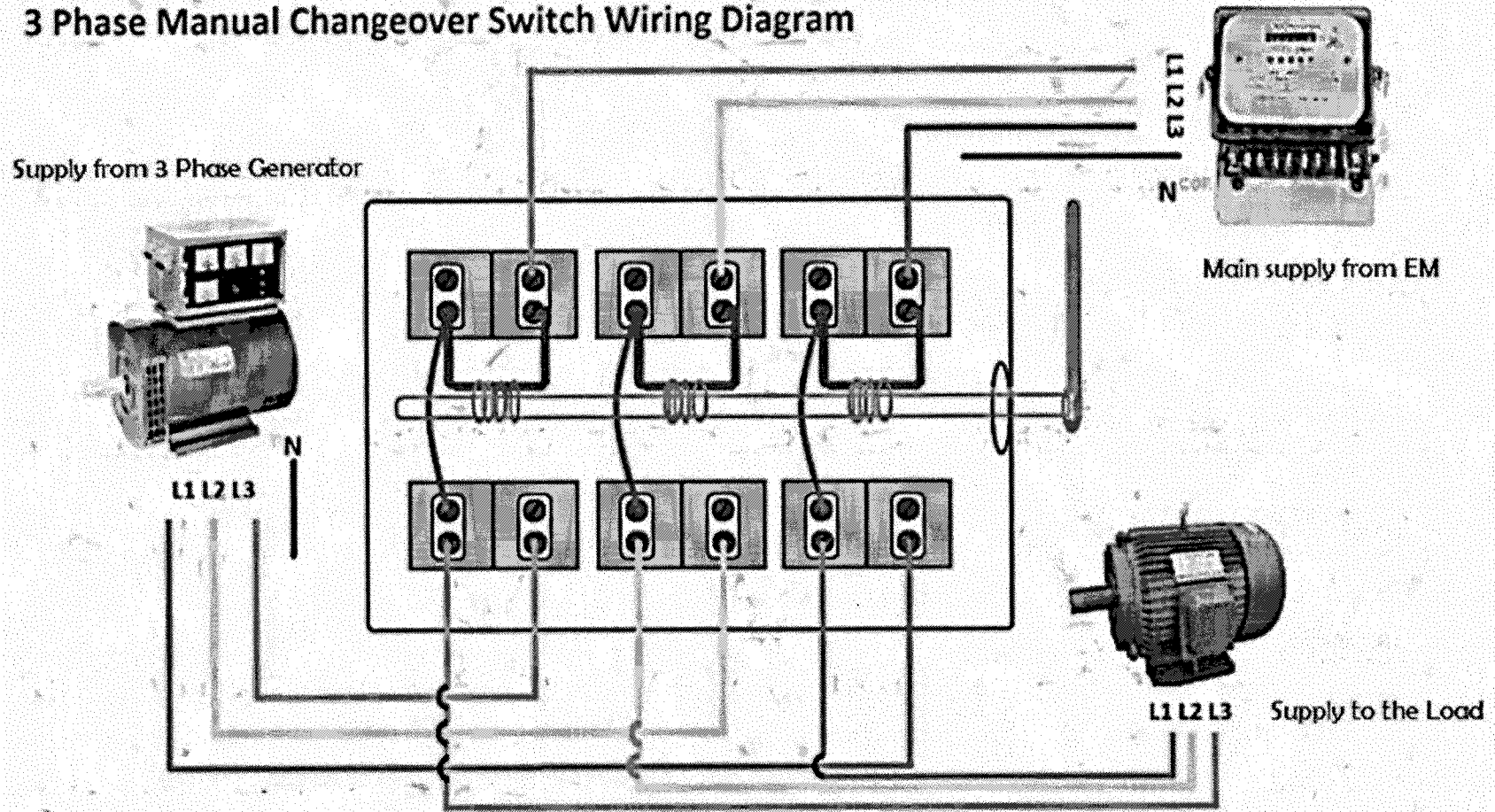
Thanking you,

Yours sincerely,


(Nim Dorji)
General Manager

Annexure 1 (Wiring Diagram of Item 2.2 Change Over Switch of Lot 2)

3 Phase Manual Changeover Switch Wiring Diagram

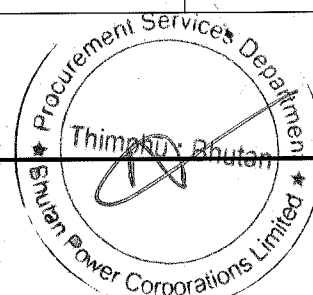


Annexure 2 (Revised Price Schedule of Lot 3: Transformers)

Revised Price Schedule of Lot 3: Transformers

Item No.	Material Description	UoM	Qty	Restricted Brand	Offered Brand and Country of Origin	Unit Price DDP (Nu)	Amount DDP (Nu)
3.1	1 Phase Transformer 33/0.24kV, 25kVA	NO	4	<ul style="list-style-type: none"> • Kanohar Electrical Ltd., India • Nucon Switchgear (P) Ltd., India • Kotsons Pvt. Ltd. (KPL), India • NEEK, Nepal • Uttam Bharat, India • Universal Power Transformers, India • Kirloskar Electric Company, India • PT Trafindo, Indonesia • Truvolt Engineering • Technical Associates Limited, Uttar Pradesh, India • Trafo Power and Electrical Pvt. Limited 			
3.2	1 phase Transformer 16KVA 11/0.230 kV	NO	1				
3.3	Dist. Transformer 16 kVA, 33/0.240 kV	SET	11				
3.4	Dist. Transformer, 63kVA, 33/0.240kV	SET	2				
3.5	Dist. Transformer 16 kVA, 11/0.415 kV	SET	2				
3.6	Dist. Transformer 25 kVA, 11/0.415 kV	SET	8				
3.7	Dist. Transformer 63 kVA, 11/0.415 kV	NO	10				

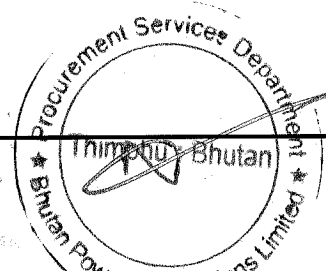
All transformers have to be altitude corrected up to 2500 meters.



Annexure 2 (Revised Price Schedule of Lot 3: Transformers)

Item No.	Material Description	UoM	Qty	Restricted Brand	Offered Brand and Country of Origin	Unit Price DDP (Nu)	Amount DDP (Nu)
3.8	Dist. Transformer 125 kVA, 11/0.415 kV	SET	6	<ul style="list-style-type: none"> • Kanohar Electrical Ltd., India • Nucon Switchgear (P) Ltd., India • Kotsons Pvt. Ltd. (KPL), India • NEEK, Nepal • Uttam Bharat, India • Universal Power Transformers, India • Kirloskar Electric Company, India • PT Trafindo, Indonesia • Truvolt Engineering • Technical Associates Limited, Uttar Pradesh, India • Trafo Power and Electrical Pvt. Limited 			
3.9	Dist. Transformer 250 kVA, 11/0.415 kV	SET	10				
3.10	Dist. Transformer 250 kVA, 11/0.415kV - ID	SET	5				
3.11	Dist. Transformer 500 kVA, 11/0.415 kV	SET	8				
3.12	Dist. Transformer 500 kVA, 11/0.415kV - ID	SET	8				
3.13	Dist. Transformer 16 kVA, 33/0.415 kV	SET	2				
3.14	Dist. Transformer 25 kVA, 33/0.415 kV	SET	16				
3.15	Dist. Transformer 63 kVA, 33/0.415 kV	NO	26				

All transformers have to be altitude corrected up to 2500 meters.



Annexure 2 (Revised Price Schedule of Lot 3: Transformers)

Item No.	Material Description	UoM	Qty	Restricted Brand	Offered Brand and Country of Origin	Unit Price DDP (Nu)	Amount D (Nu)
3.16	Dist. Transformer 63 kVA, 33/0.415 kV-ID	SET	1	<ul style="list-style-type: none"> • Kanohar Electrical Ltd., India • Nucon Switchgear (P) Ltd., India • Kotsons Pvt. Ltd. (KPL), India • NEEK, Nepal • Uttam Bharat, India • Universal Power Transformers, India • Kirloskar Electric Company, India • PT Trafindo, Indonesia • Truvolt Engineering • Technical Associates Limited, Uttar Pradesh, India • Trafo Power and Electrical Pvt. Limited 			
3.17	Dist. Transformer 125 kVA, 33/0.415 kV	SET	9				
3.18	Dist. Transformer 250 kVA, 33/0.415 kV	SET	10				
3.19	Dist. Transformer 250 kVA, 33/0.415 kV-ID	SET	1				
3.20	Dist. Transformer 500 kVA, 33/0.415 kV	SET	7				
3.21	Dist. Transformer 500 kVA, 33/0.415 kV-ID	SET	2				
3.22	ICT Transformer 33/11kV, 1.5MVA	NO	1				
3.23	ICT Transformer 500kVA, 33/11kV	NO	1				

All transformers have to be altitude corrected up to 2500 meters.

