

1 2 3 4 5 6

**NOTES**

1. ALL DIMENSIONS ARE IN MM UNLESS NOTED OTHERWISE.
2. ALL DIMENSIONS ARE TO FACE UNLESS NOTED OTHERWISE.
3. ALL DIMENSIONS ARE TO FACE UNLESS NOTED OTHERWISE.
4. HOLE TO PASS THROUGH ALL SOLTS SHALL BE ACCURATELY MADE BY FORMING BY USE OF MACHINERY USING THE DESIGN. QUANTITIES SHALL BE AS PER DETAIL DRAWING.
5. THE FOUNDATION DESIGN SHALL NOT BE USED IN CASE OF ANY OTHER SITE.
6. THE FOUNDATION DESIGN SHALL NOT BE USED IN CASE OF ANY OTHER TYPE OF SOIL.
7. THE FOUNDATION DESIGN SHALL NOT BE USED IN CASE OF ANY OTHER TYPE OF SOIL.
8. THE FOUNDATION DESIGN SHALL NOT BE USED IN CASE OF ANY OTHER TYPE OF SOIL.
9. THE FOUNDATION DESIGN SHALL NOT BE USED IN CASE OF ANY OTHER TYPE OF SOIL.
10. THE FOUNDATION DESIGN SHALL NOT BE USED IN CASE OF ANY OTHER TYPE OF SOIL.
11. THE FOUNDATION DESIGN SHALL NOT BE USED IN CASE OF ANY OTHER TYPE OF SOIL.

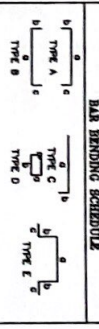
**GENERAL DETAILS**

S/N	DESCRIPTION	DRINKS
1	SOIL BEARING CAPACITY	10.00 T/50MM
2	DRY DENSITY OF SOIL	1.75 T/50MM
3	ANGLE OF REPOSE	25.00 DEGREE

**BILL OF MATERIALS**

ITEM	UNIT	TOTAL
CONCRETE	CUM	61.1
STEEL (1:1.5:8)	CUM	2.1
STEEL (1:1.5:8)	CUM	0.31
STEEL (1:1.5:8)	KG	6000

**BAR BENDING SCHEDULE**

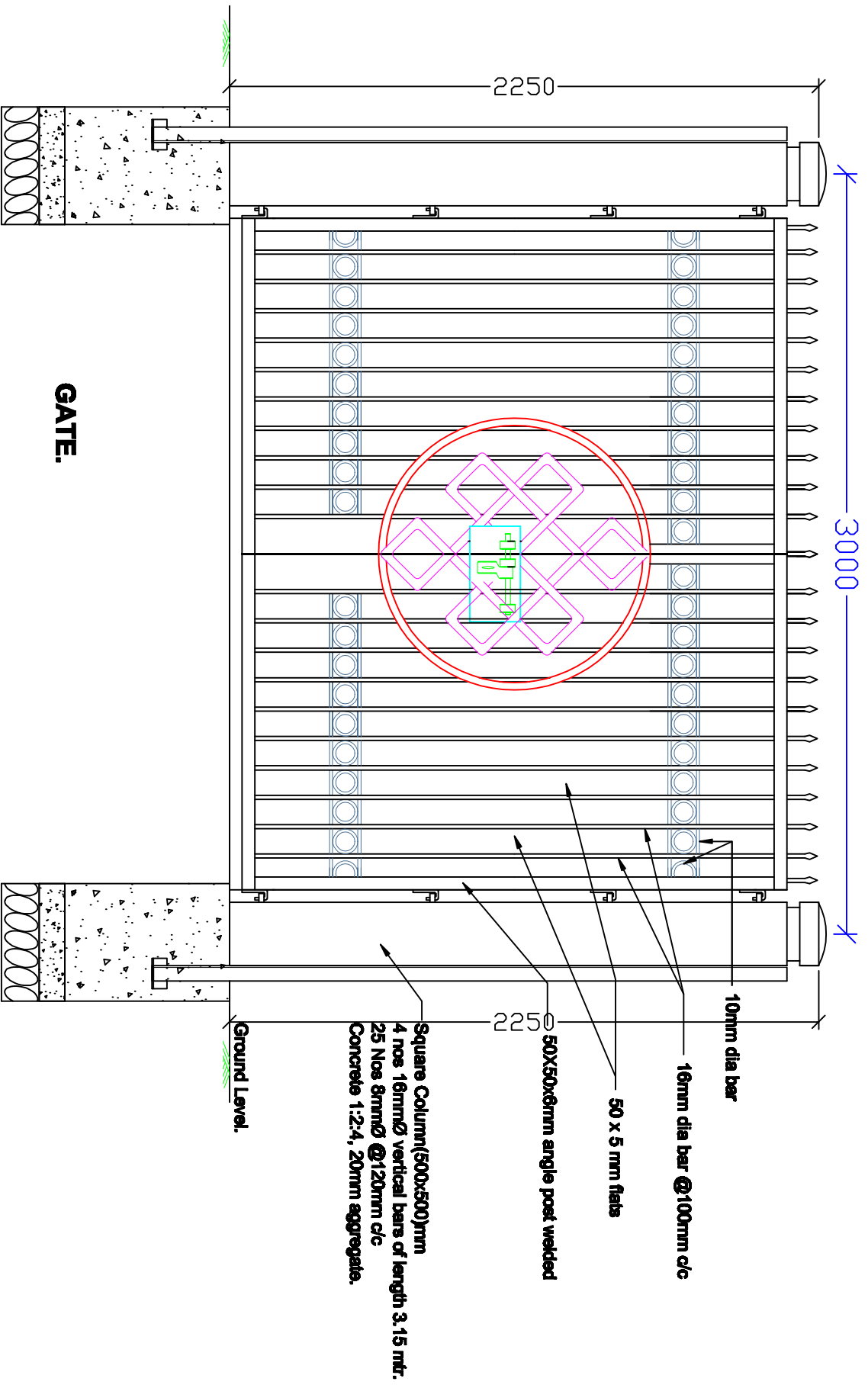


**REVISION NOTES**

REV. NO.	DESCRIPTION	DATE	SIGN.
1	CHECKED	APPROVED	DATE
2	DRAWN	DATE	SCALE

**DESIGNED BY:** BHUTAN TELECOM LTD.  
**CONTRACT NO.:** BHUTAN  
**PROJECT:** BHUTAN TELECOM LTD.  
**CONTRACT NO.:** BHUTAN

**ICON POWER SOLUTIONS PVT. LTD.**  
**GURGAON**  
**INDIA**  
**PHONE NO.:** 011-26101111  
**WEBSITE:** WWW.ICONPOWER.COM  
**EMAIL:** SALES@ICONPOWER.COM  
**ADDRESS:** 10/175/2M  
**DRAWING NO.:** SH. NO. REV.  
**ACD-319**

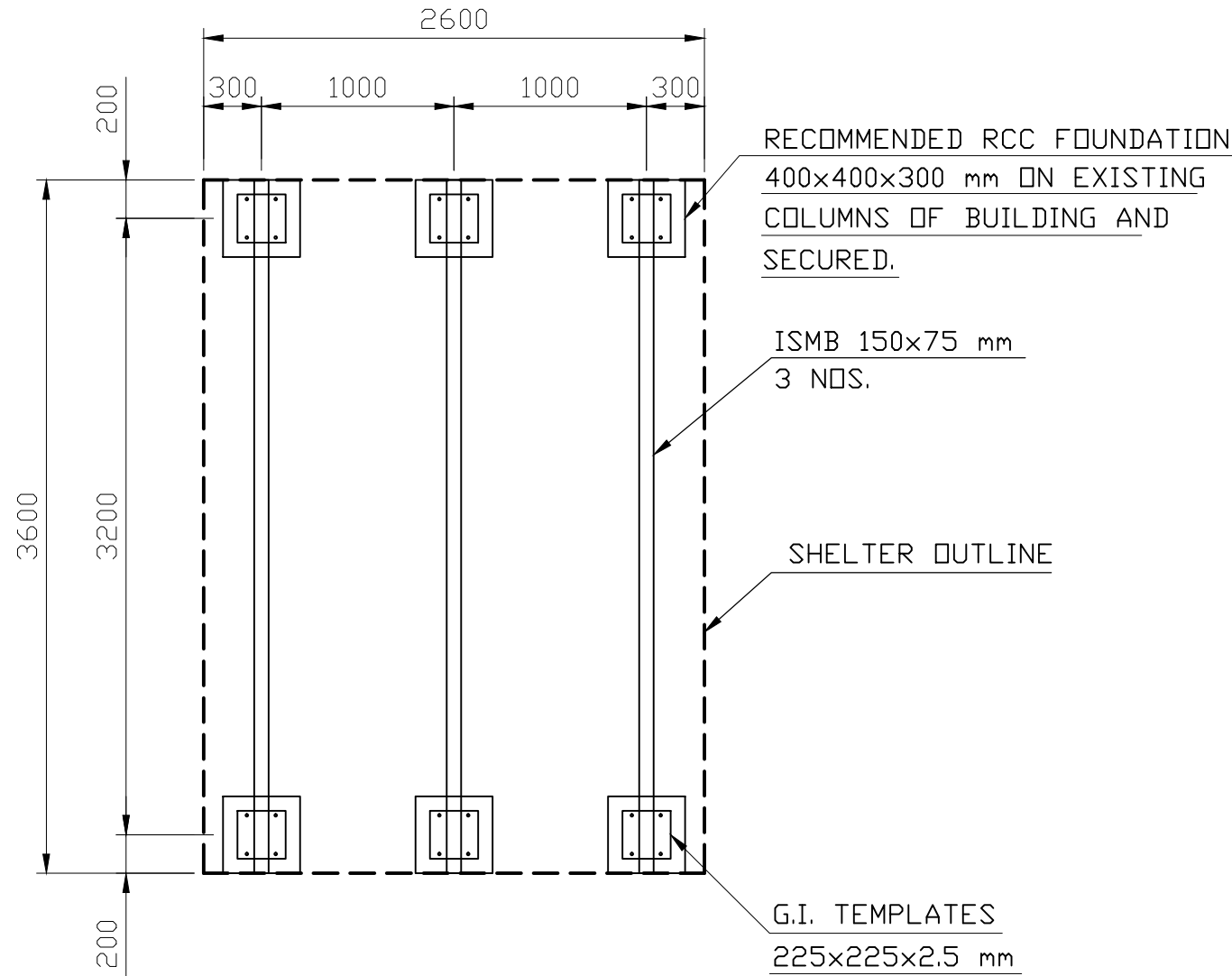


**GATE.**

NOTE:

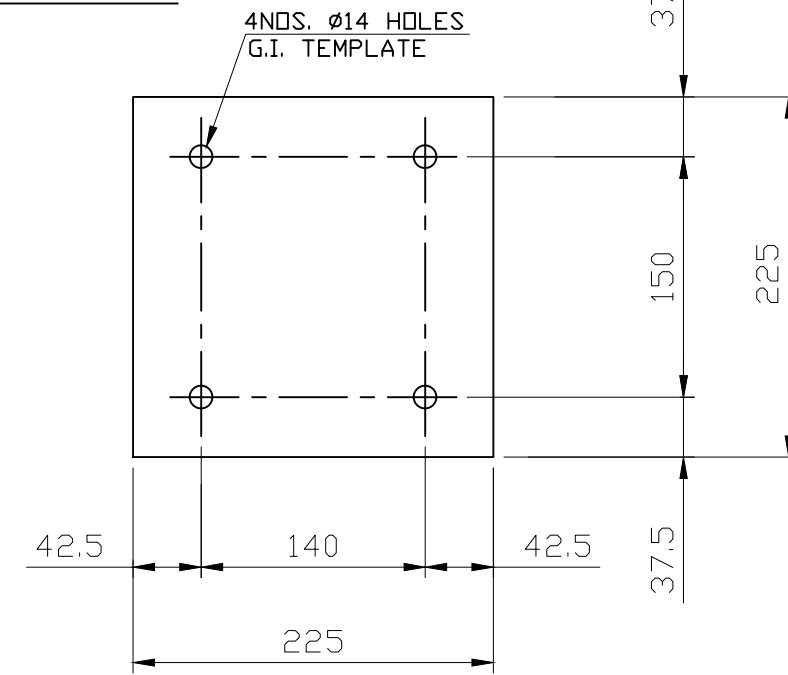
Development length,  $L_d = 200\text{mm}$  in all cases.

FOUNDATION DETAILS FOR PREFAB SHELTER  
ROOF TOP SHELTER

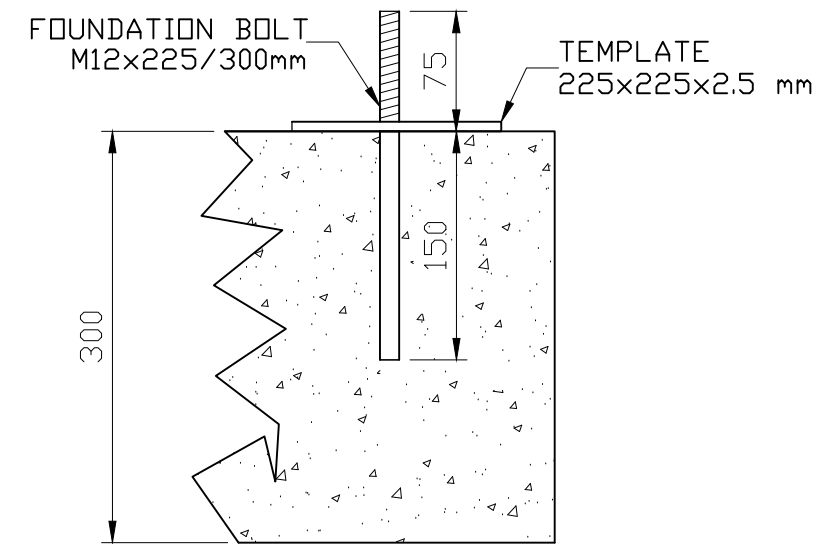


SKID MOUNTING ON R.C.C COLUMN

SUGGESTED LAYOUT BY CUSTOMER



TEMPLATE 225x225x2.5 mm



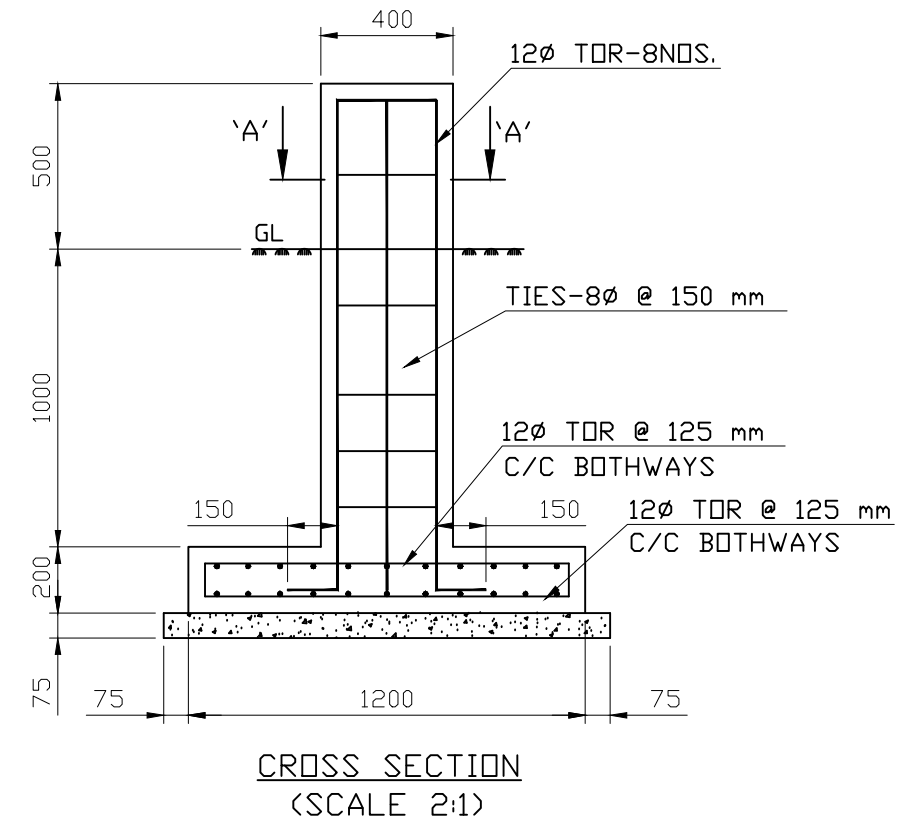
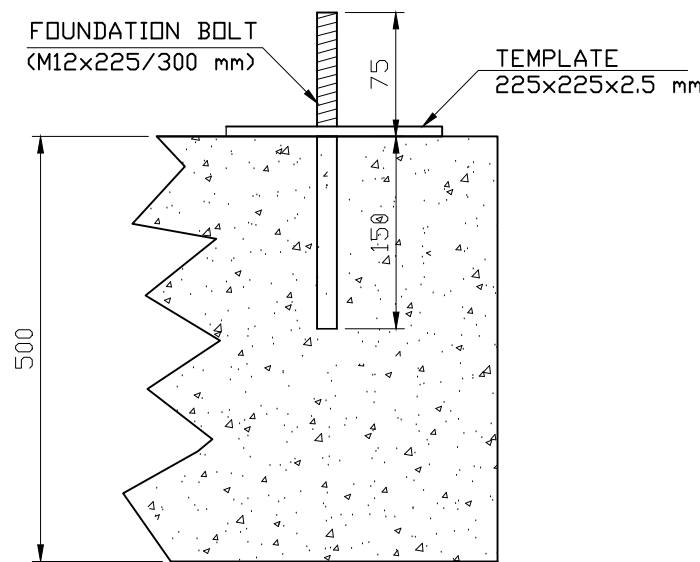
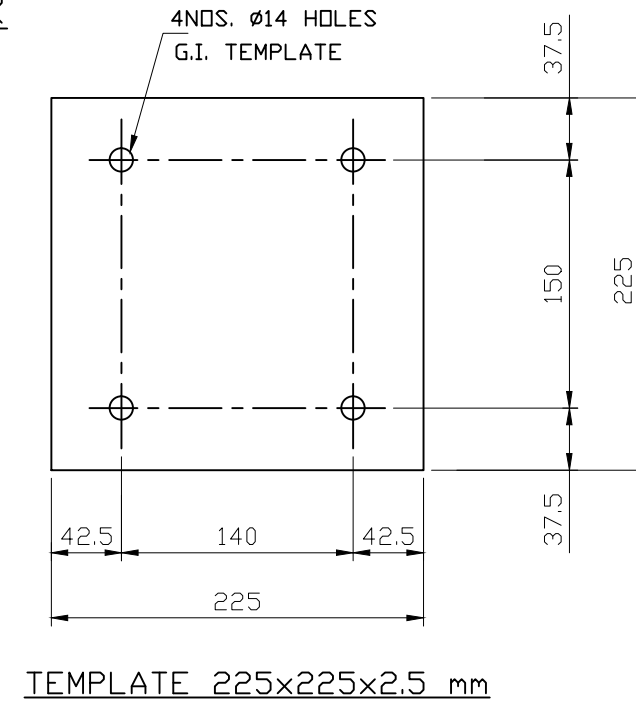
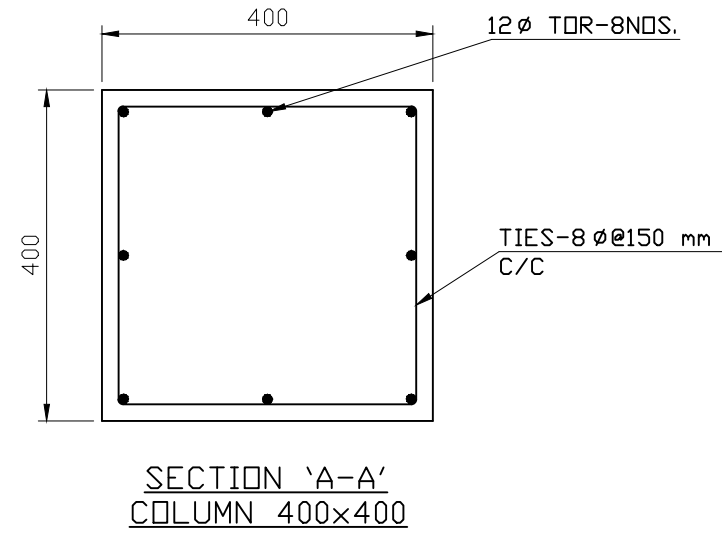
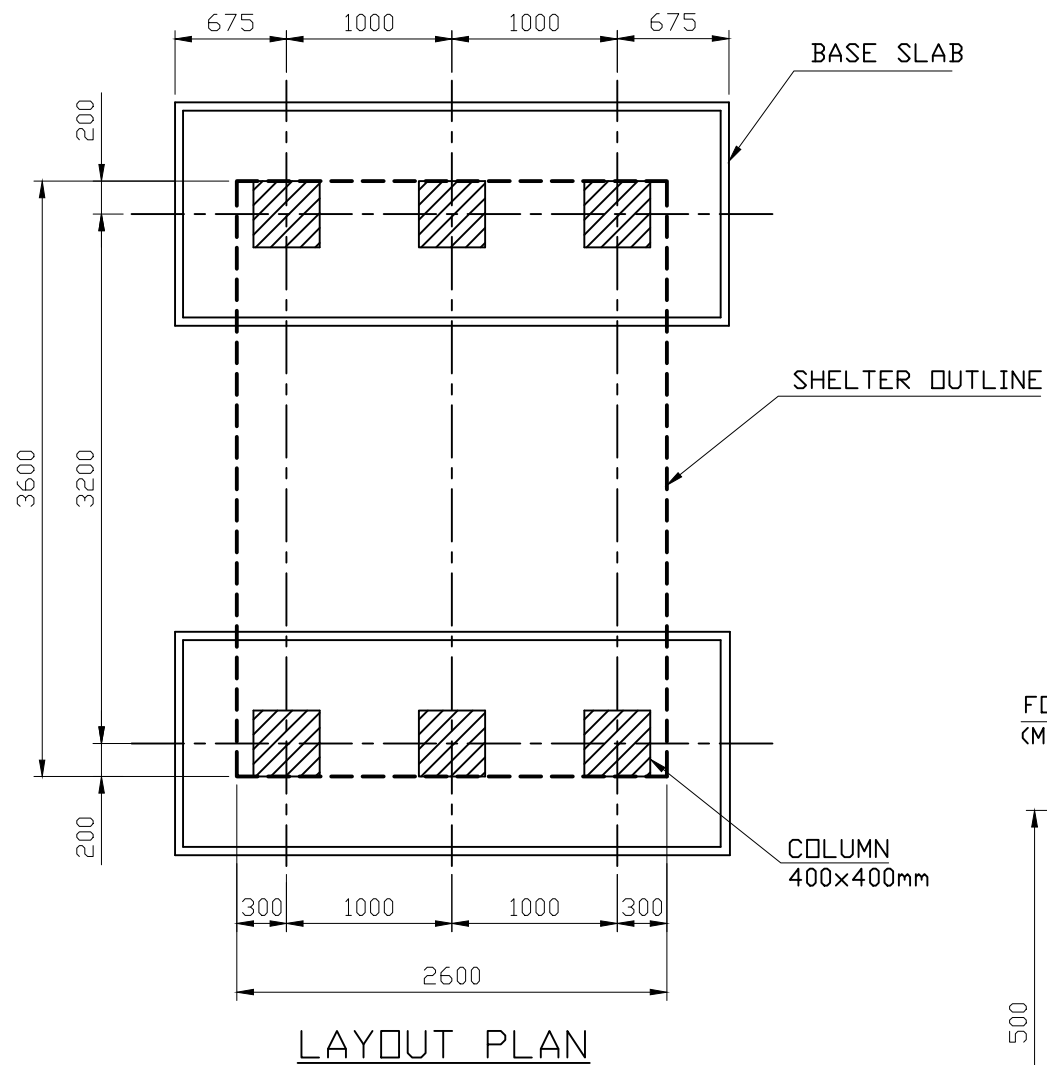
FOUNDATION BOLT  
INSERTED IN R.C.C. COLUMN

ZEP INFRA TECH LIMITED			
PROJECT: PRAGATI	DRAWN BY: Shiv kr.	SIG. & DATE: 29/11/18	
	CHECKED BY: Shiv kr.		
TITLE: FOUNDATION DWG (SIZE: 3.6x2.6x2.5 M)	APPROVED BY: R. Chauhan	CUSTOMER'S APPR:	
DRG. NO.: ZTS PRG 1 6728	FILE NAME: //D/DWG/MKT. DRG./PRA/FOUNDATION 3.6x2.6x2.5 M		
REV: 00	SHEET '1 OF 2	SCALE: N.T.S.	

REV. NO.	DATE	DESCRIPTION OF CHANGE	CHECKED BY :	APPROVED BY :

CAUTION : THIS DRG IS PROPERTY OF ZIL ANY REPRODUCTION OF THIS IN PART OR FULL WITHOUT AUTHORIZATION BY ZIL WOULD BE LIABLE FOR LEGAL ACTION.

## FOUNDATION DETAILS FOR PREFAB SHELTER GROUND BASED SHELTER



- NOTES :-**
1. PCC SHALL BE OF GRADE M10.
  2. CONCRETE MIX SHALL BE OF GRADE M20 (1:1.5:3)
  3. REINFORCEMENT SHALL BE TOR BARS OF GRADE FE415

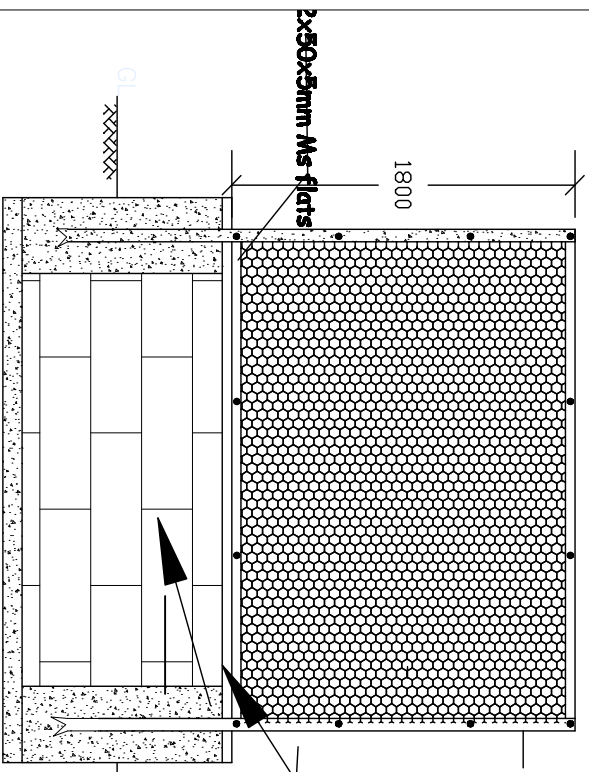
### SUGGESTED LAYOUT BY CUSTOMER

<b>ZEP INFRA TECH LIMITED</b>		
PROJECT: PRAGATI	DRAWN BY: Shiv kr.	SIG. & DATE: 29/11/18
	CHECKED BY: Shiv kr.	
TITLE: FOUNDATION DWG (SIZE: 3.6x2.6x2.5 M)	APPROVED BY: R. Chauhan CUSTOMER'S APPR:	
DRG. NO.: ZTS PRG 1 6728	FILE NAME: //D/DWG/MKT. DRG/PRAGATI/FOUNDATION 3.6x2.6x2.5 M	
REV: 00	SHEET: 2 OF 2	SCALE: N.T.S.

REV. NO.	DATE	DESCRIPTION OF CHANGE	CHECKED BY :	APPROVED BY :
CAUTION : THIS DRG IS PROPERTY OF ZIL ANY REPRODUCTION OF THIS IN PART OR FULL WITHOUT AUTHORIZATION BY ZIL WOULD BE LIABLE FOR LEGAL ACTION.				

**Chain Link wire mesh  
Fencing**

**2 X 50X5MM Ms flats**

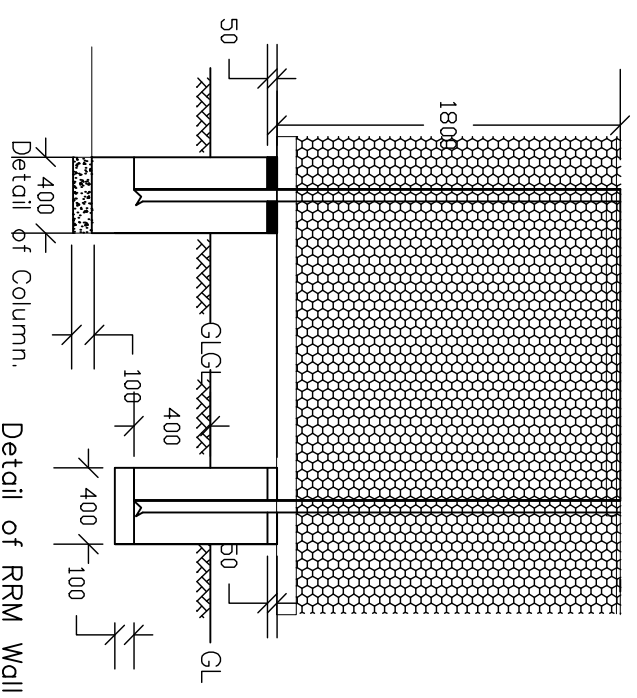


**65x65x6mm Angle Iron  
and 50x5mm Ms flat.**

**Chain Link Wire mesh  
(4mm 8SWG X 50MM)**

**50mm thick coping  
1:2:4, 20mm egg.**

**RRM Wall in CM 1:4**

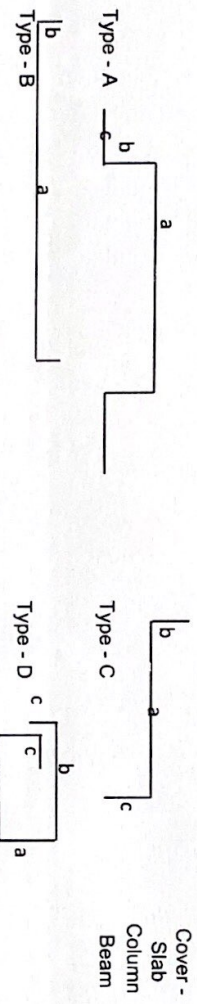


Detail of Column.

Detail of RRM Wall



**Bar Bending Schedule of 30m high 3legged tower**



Cover -  
 Slab 50 mm  
 Column 40 mm  
 Beam 25 mm

Item	Position	Type	Dia. Of Rebar (mm)	Size	Size	Size	Length (mm)	Qty in Nos both ways or total	Unit wt (kg/m)	Total Weight of (kg)
				a (mm)	b (mm)	c (mm)				
Raft Slab	Top	B	B10	2250	150	-	2550	84	0.62	132
	Bottom	B	B10	2250	150	-	2550	108	0.62	170
Tie Beams	Top	B	B16	4150	300	-	4750	6	1.58	45
	Bottom	B	B16	4150	300	-	4750	6	1.58	45
	Strips	D	B8	250	250	80	1160	75	0.40	34
	Main	C	B20	3200	330	750	4280	24	2.47	254
Column	Ties	D	B8	342	342	80	1528	69	0.40	42
		D	B8	242	242	80	1128	69	0.40	31
Total (5% extra considered)								800		

\* Chairs Shall be Provided whenever required

Notes :

1. Dimensions of Bars are along the Center Lines.
3. Splicing of Bars should not be more than 50%. Length of splice as per Standards.