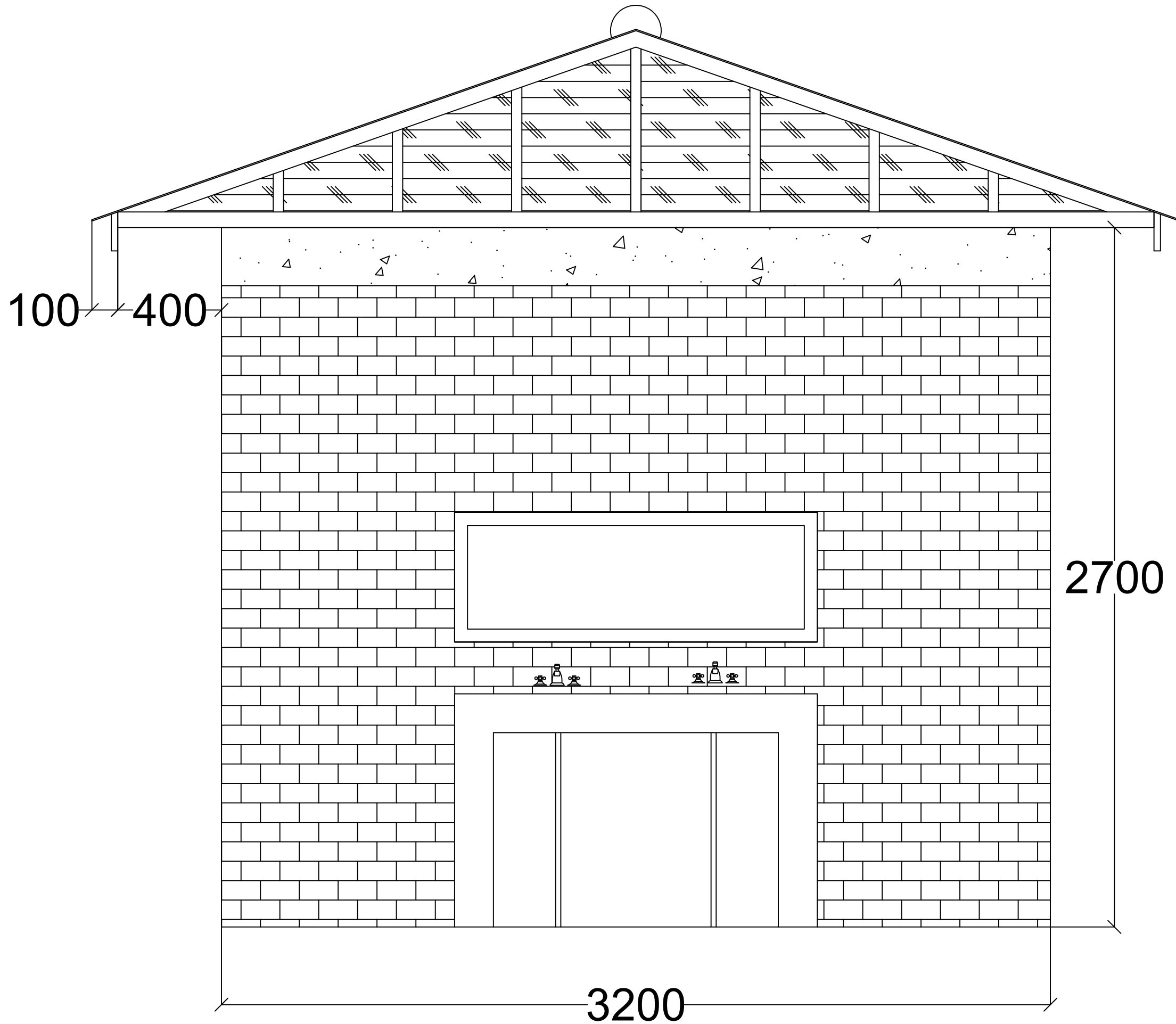
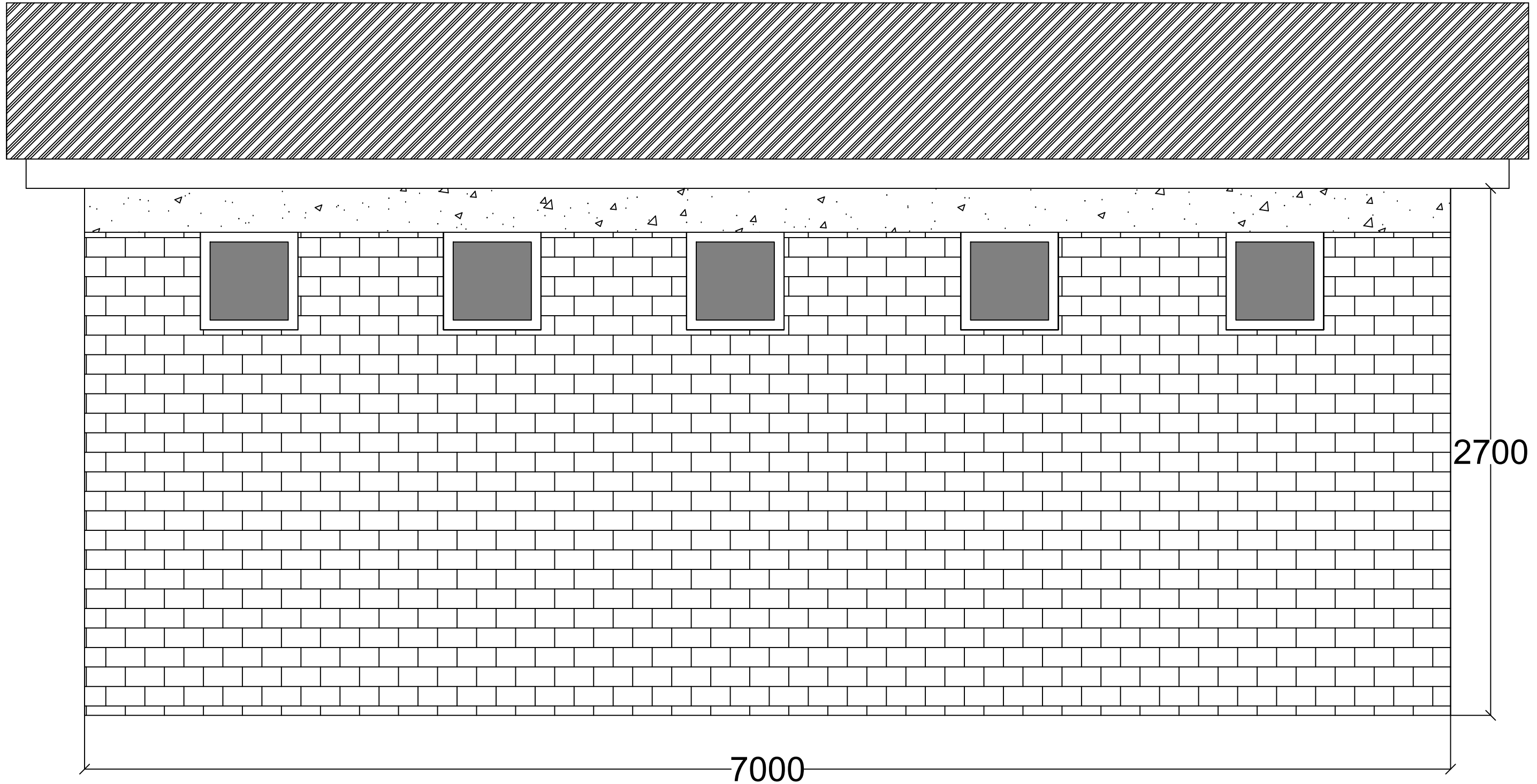


RIGHT SIDE ELEVATION

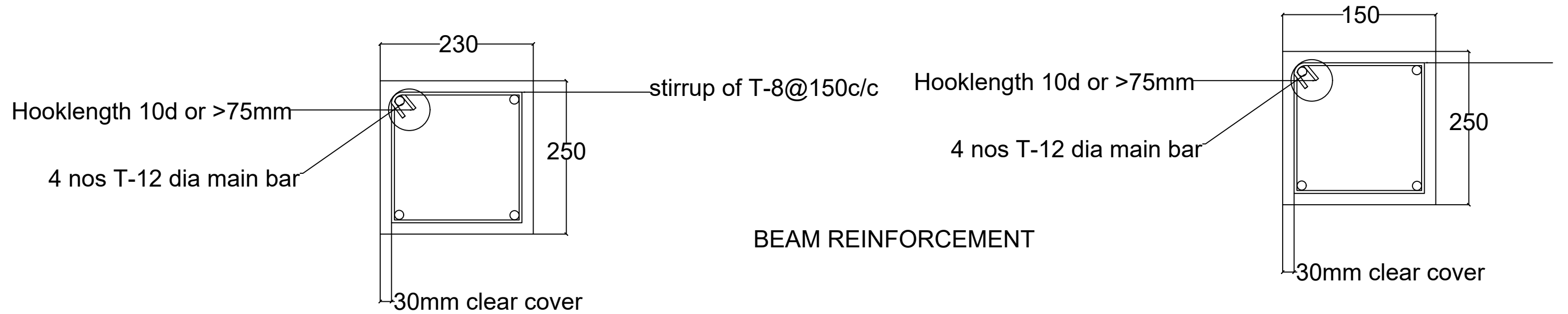
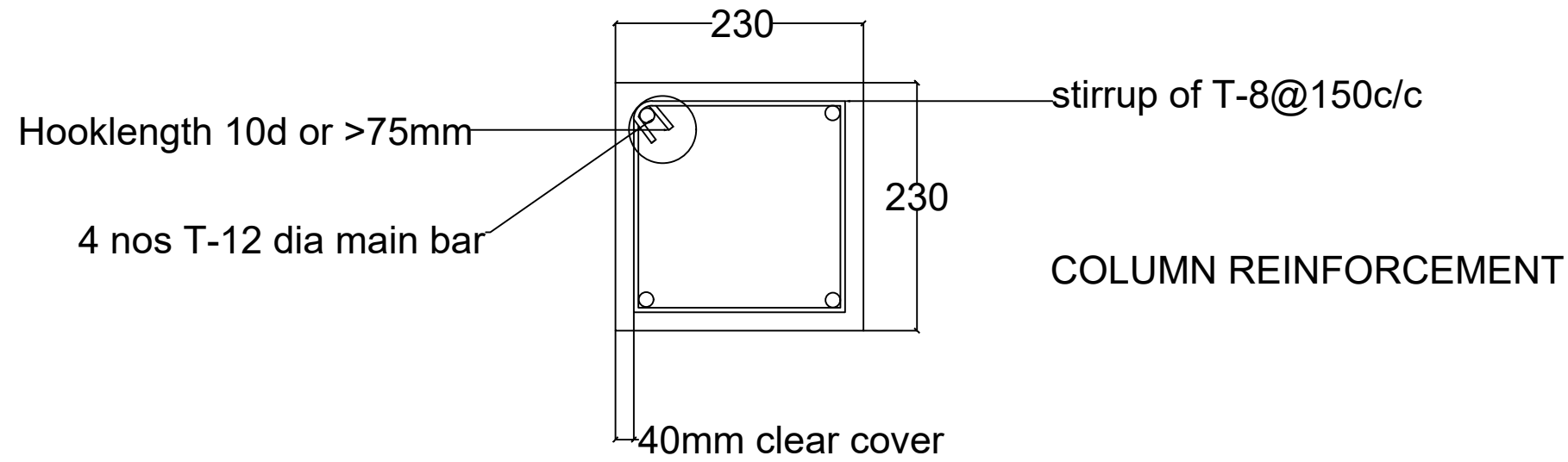


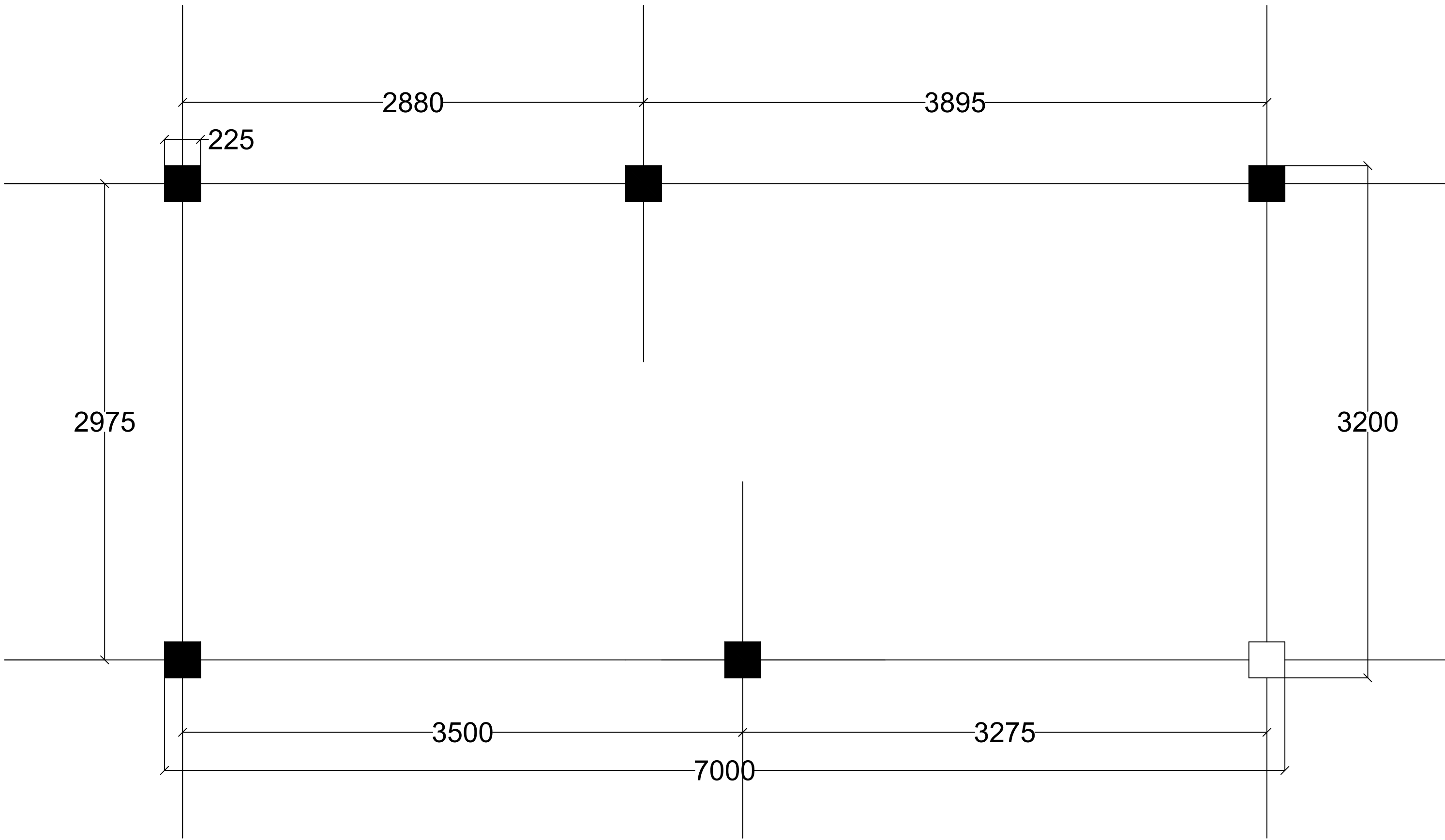
RIGHT SIDE ELEVATION

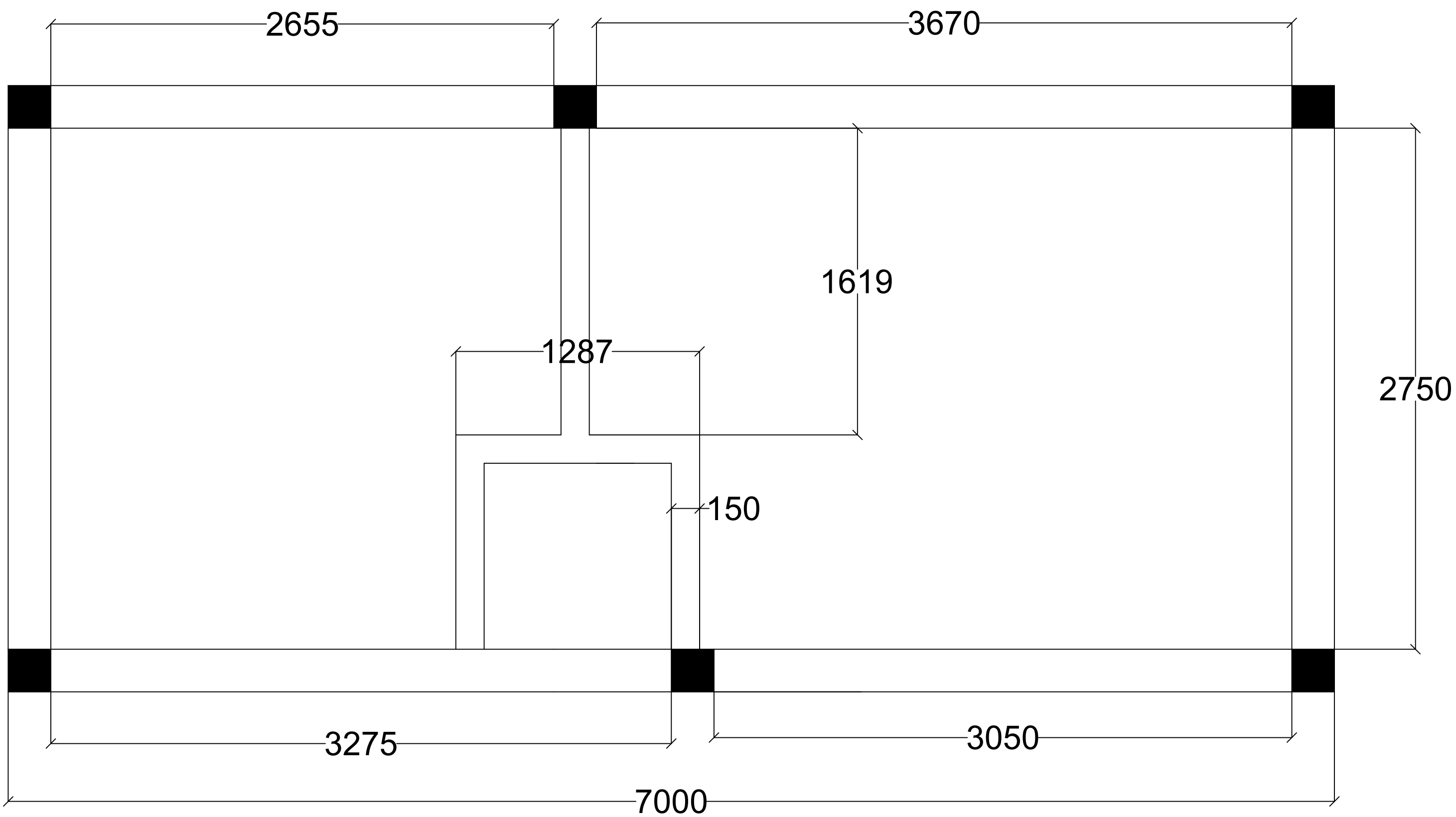


BACK SIDE ELEVATION

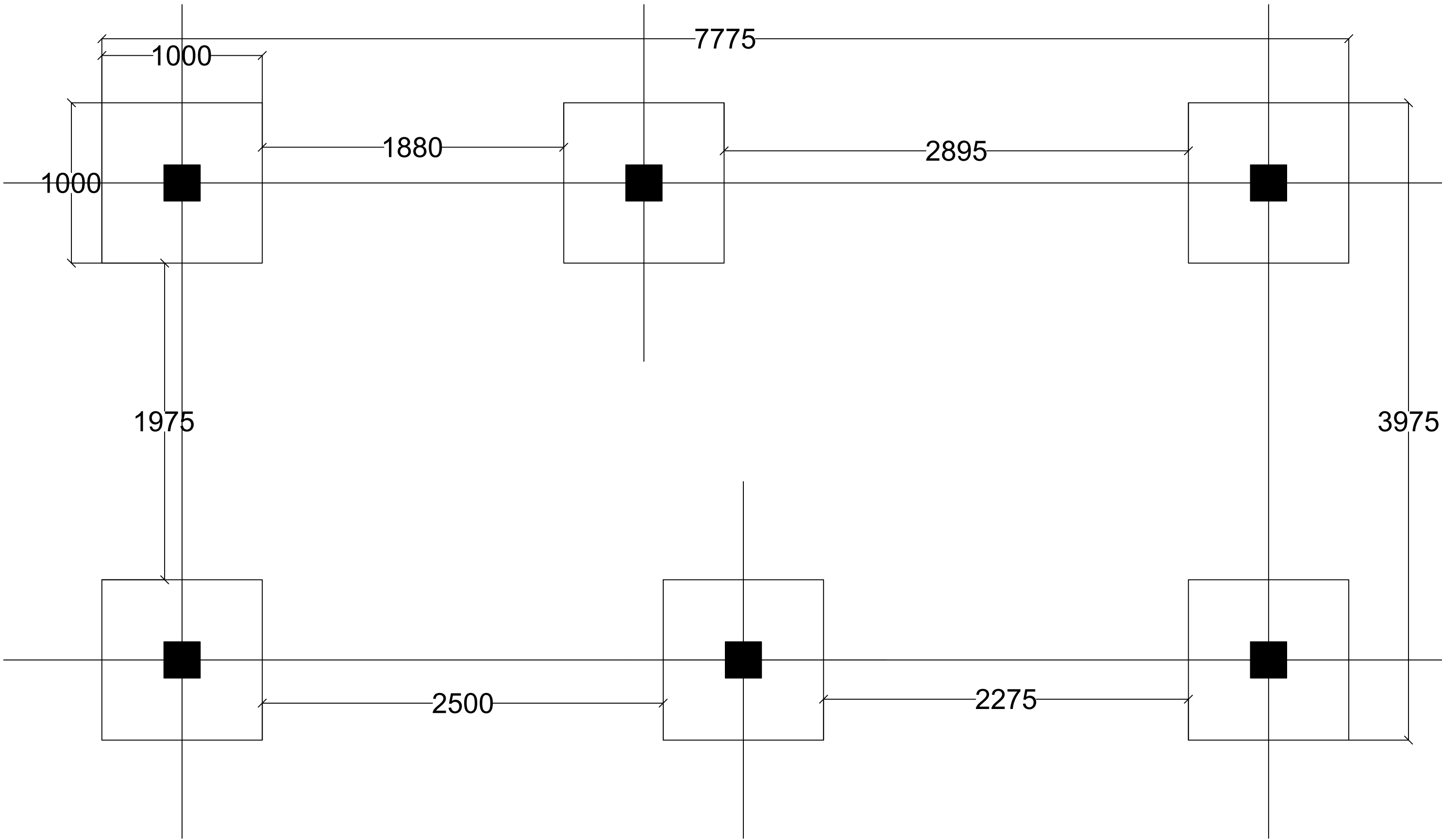




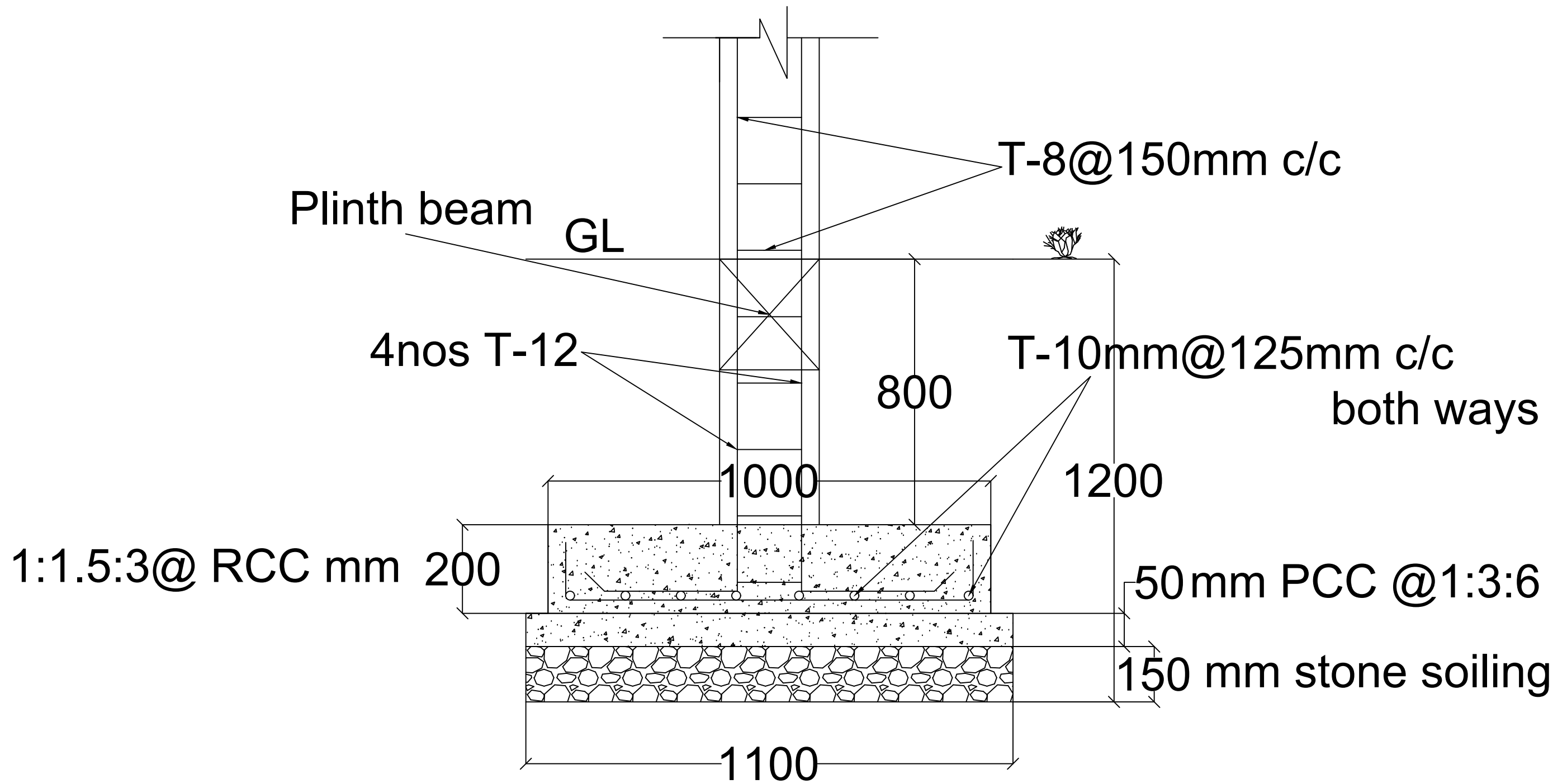




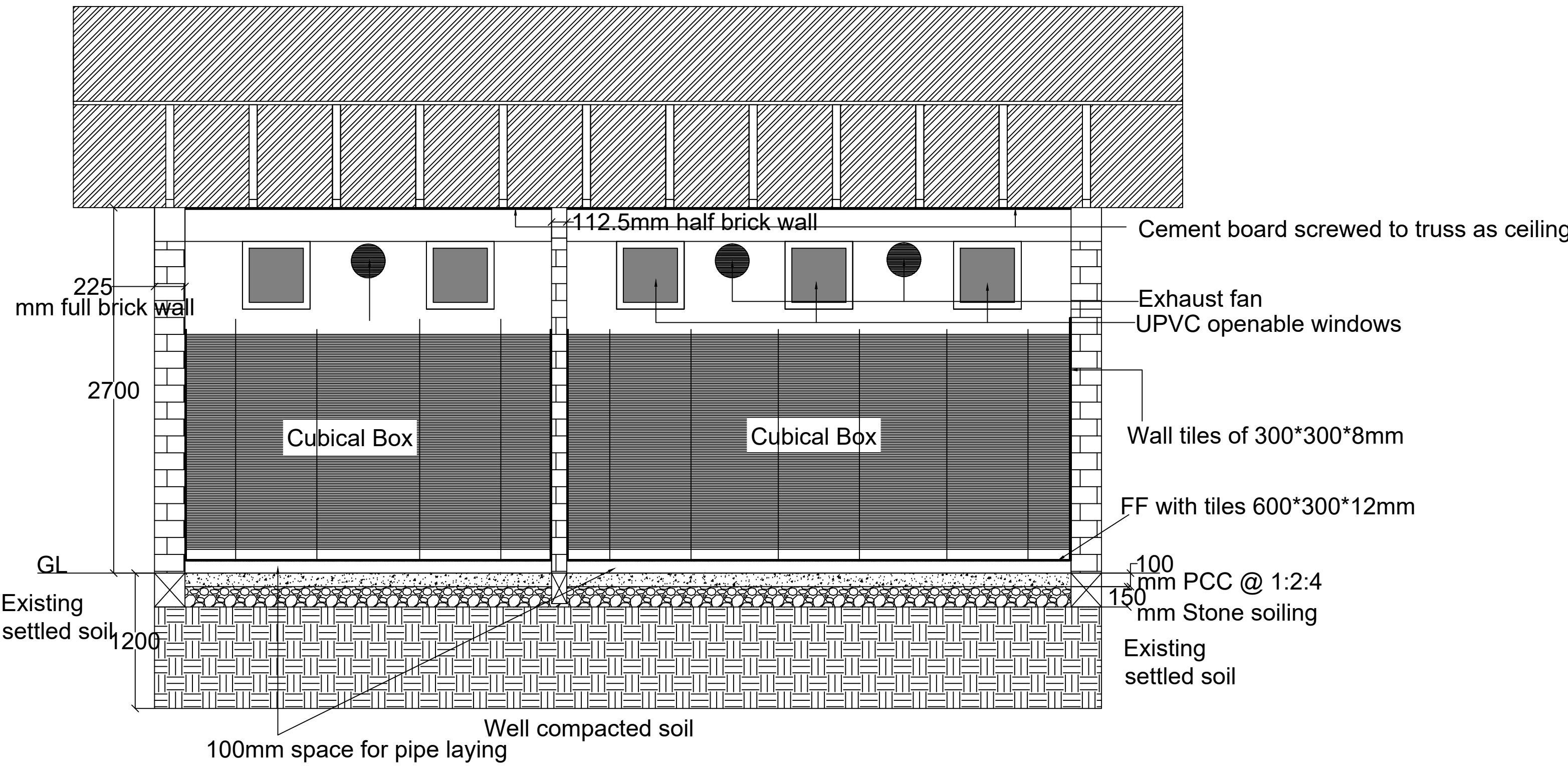
BEAM LAYOUT



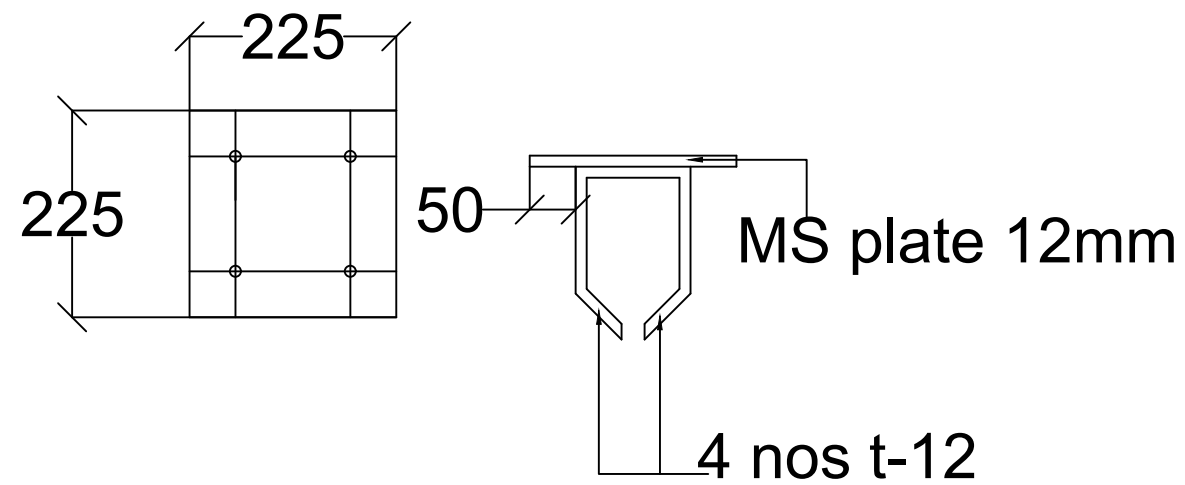
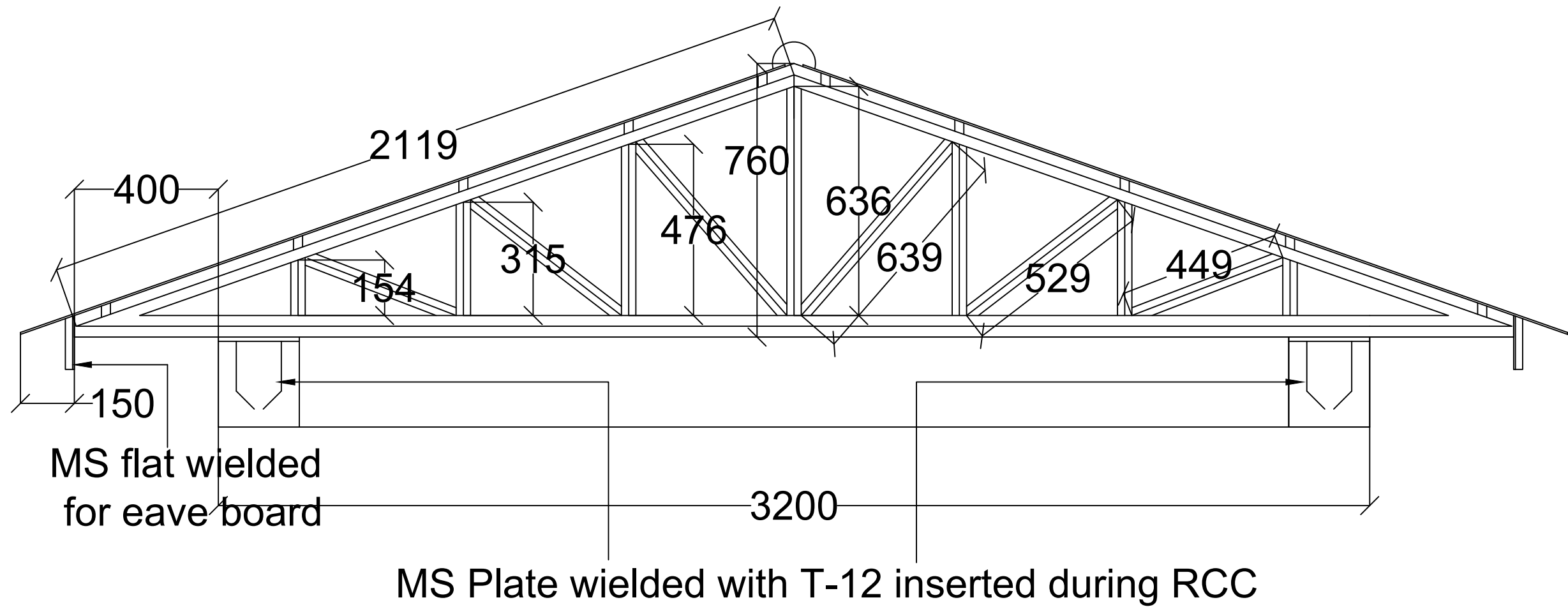
FOOTING LAYOUT



Foundation details



SECTIONAL VIEW



### TRUSS MEMBER DETAILS

MEMBER	Sizes	Section thickness
Top(rafter) and bottom chord	60*60mm	5 mm
strut(Inclined)	40*40mm	5 mm
strut(Vertical)	40*40mm	5 mm
Purlin	25*25mm	3mm

