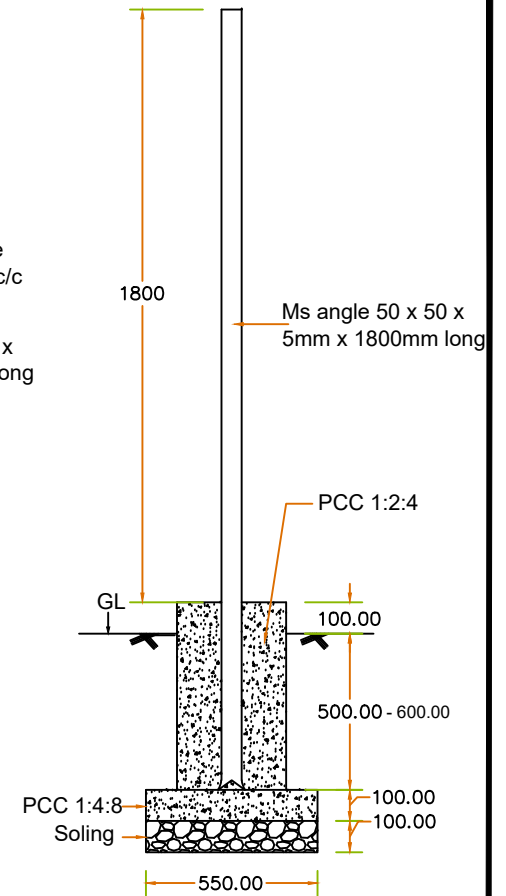


Barbed wire @ 200mm c/c
Ms angle 50 x 50 x 5mm x 1800mm long

Details of Barbed Wire Fencing



NOTES : Not to Scale
Dimensions are to be as shown in the drawings unless stated otherwise.

DISCLAIMER: Bhutan Telecom Ltd. shall have no liability or responsibility to the user or any other person or entity with respect to any liability, loss or damage caused or alleged to be caused, directly or indirectly, by the adoption and use of these Standard drawings. Persons must not rely on these drawings as the equivalent of, or a substitute for, project-specific design and assessment by an appropriately qualified professional.



BHUTAN TELECOM LIMITED

Designed and Drawn by: **Cheki Wangmo**
Approved :

**Barbed Wire Fencing
at Repla**



This drawing is copyright and the property of Bhutan Telecom Ltd and must not be reproduced wholly or in part without written permission.

DRAWING NO.:

DATE:

