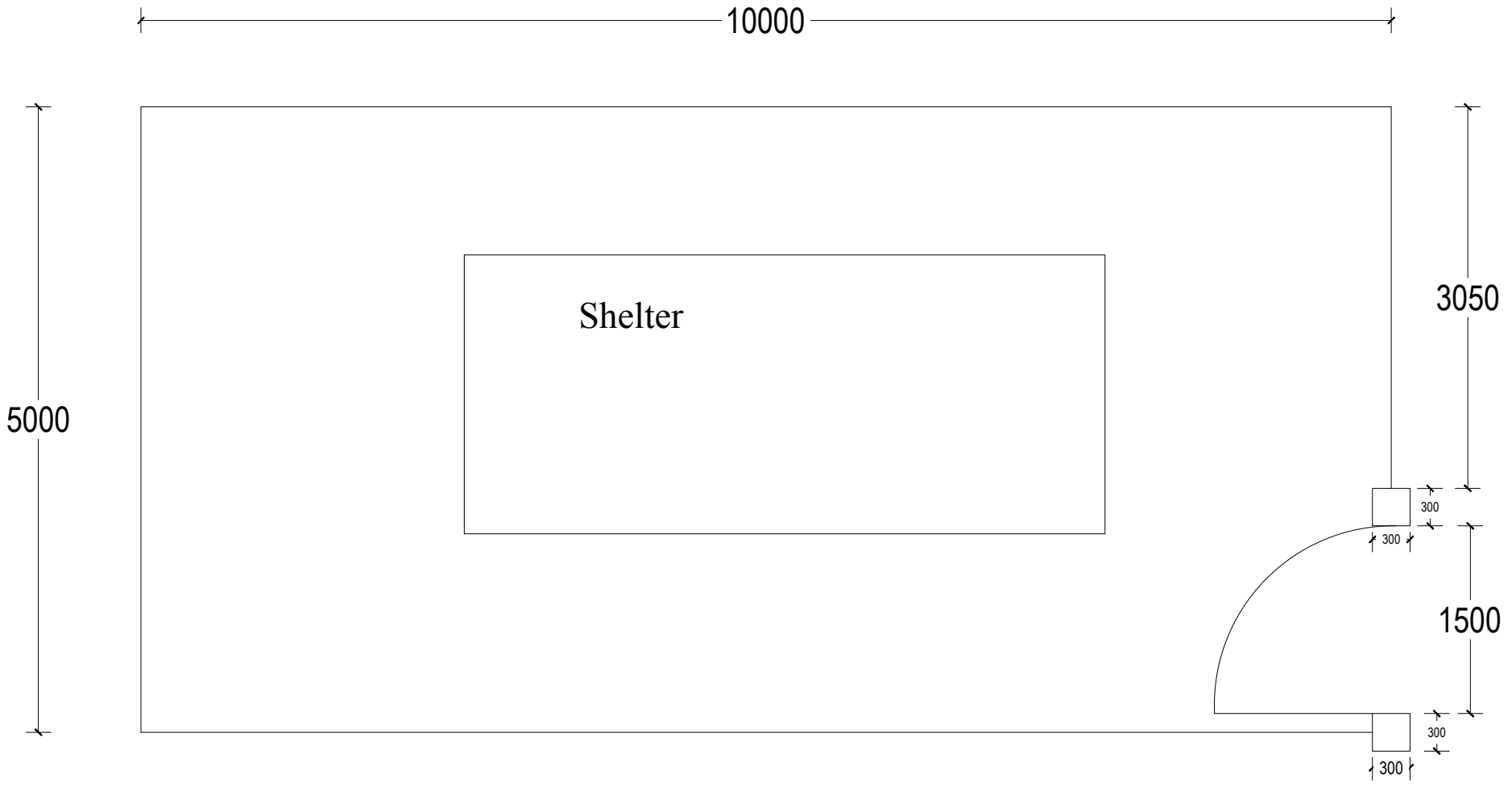


Plan



PROJECT TITLE:

Jangkhana fencing

DRAWING TITLE:

Plan

SCALE:-NTS

Drawn by:

Sonam Zangpo

Designation

Civil (WR)

REVISION NO.

DATE

05/03/2021

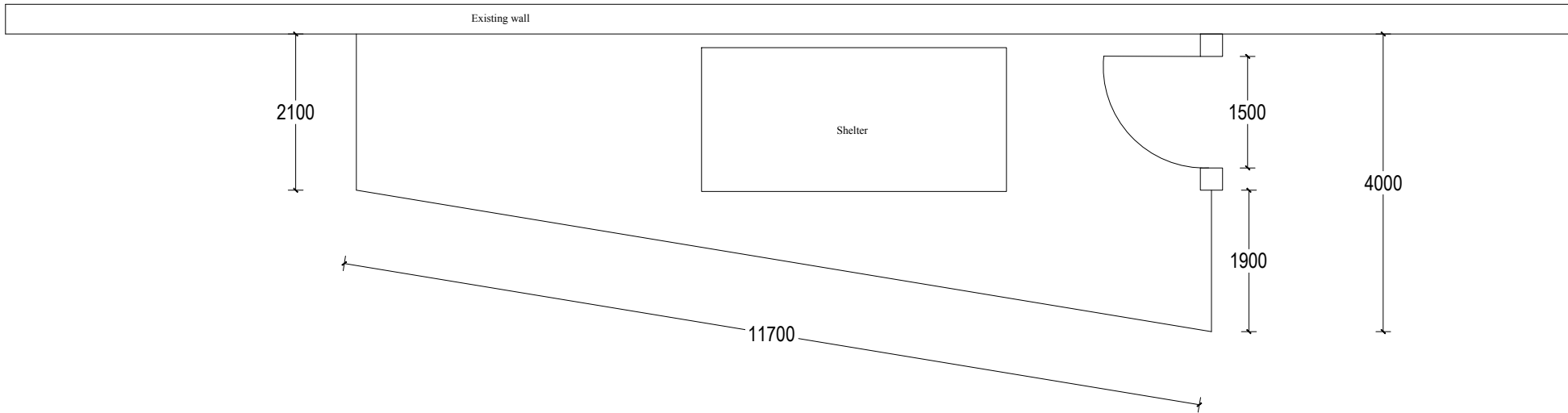
NOTES

All dimensions are in mm unless otherwise stated.
 All levels are in metres.
 Dimensions are to be read and not to be measured.
 Do not scale the dimensions from the drawings.
 Any discrepancies in the drawings shall be brought to the notice of designers for timely rectification.
 Designers shall not be held responsible for faulty execution at site unless full time construction supervision is looked after by designers.

DRAWING NO.

01/03

Plan



PROJECT TITLE:

Haa Town FTTC

DRAWING TITLE:

Plan

SCALE:-NTS

Drawn by:

Sonam Zangpo

Designation

Civil (WR)

REVISION NO.

DATE

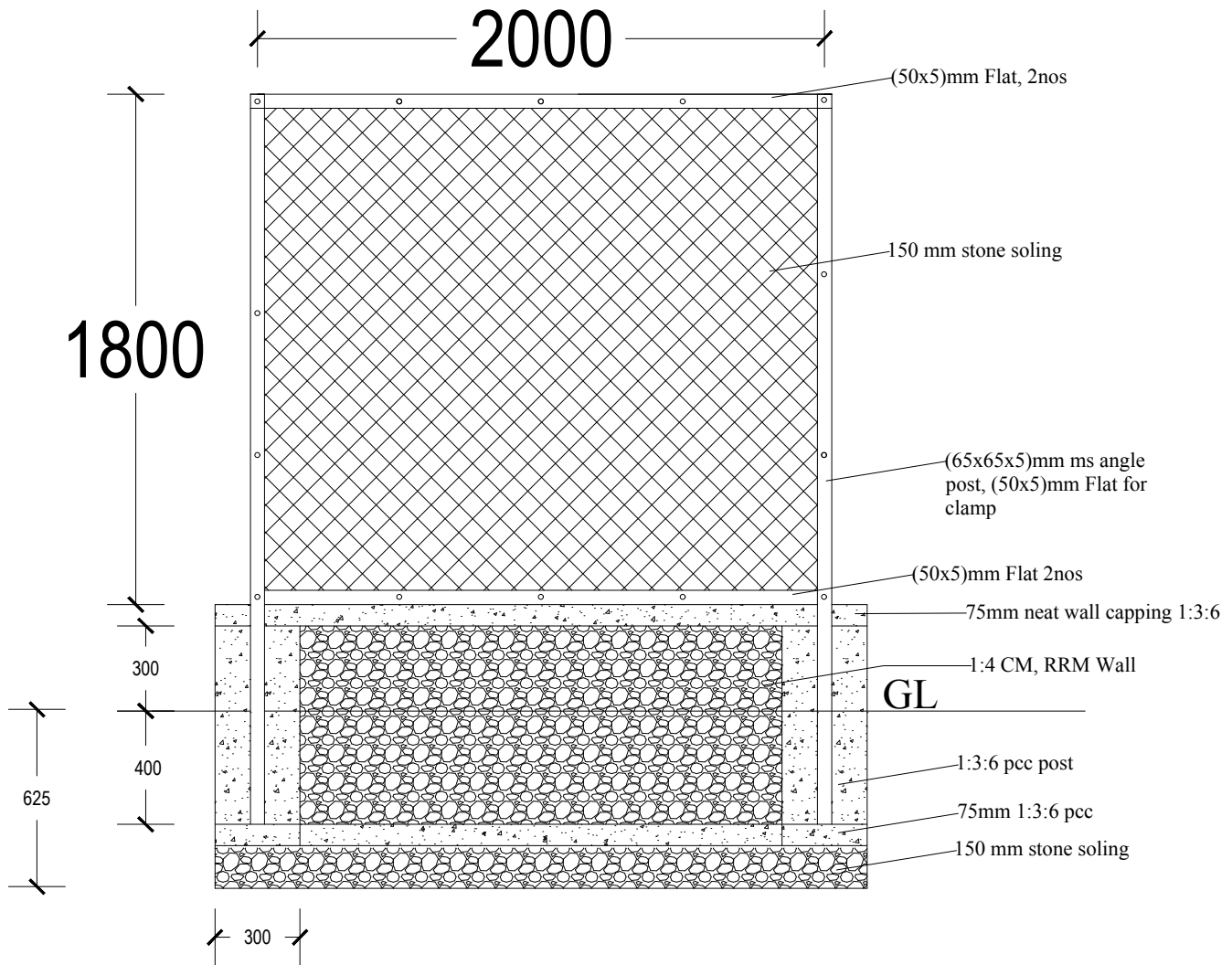
05/03/2021

NOTES

All dimensions are in mm unless otherwise stated.
All levels are in metres.
Dimensions are to be read and not to be measured.
Do not scale the dimensions from the drawings.
Any discrepancies in the drawings shall be brought to the notice of designers for timely rectification.
Designers shall not be held responsible for faulty execution at site unless full time construction supervision is looked after by designers.

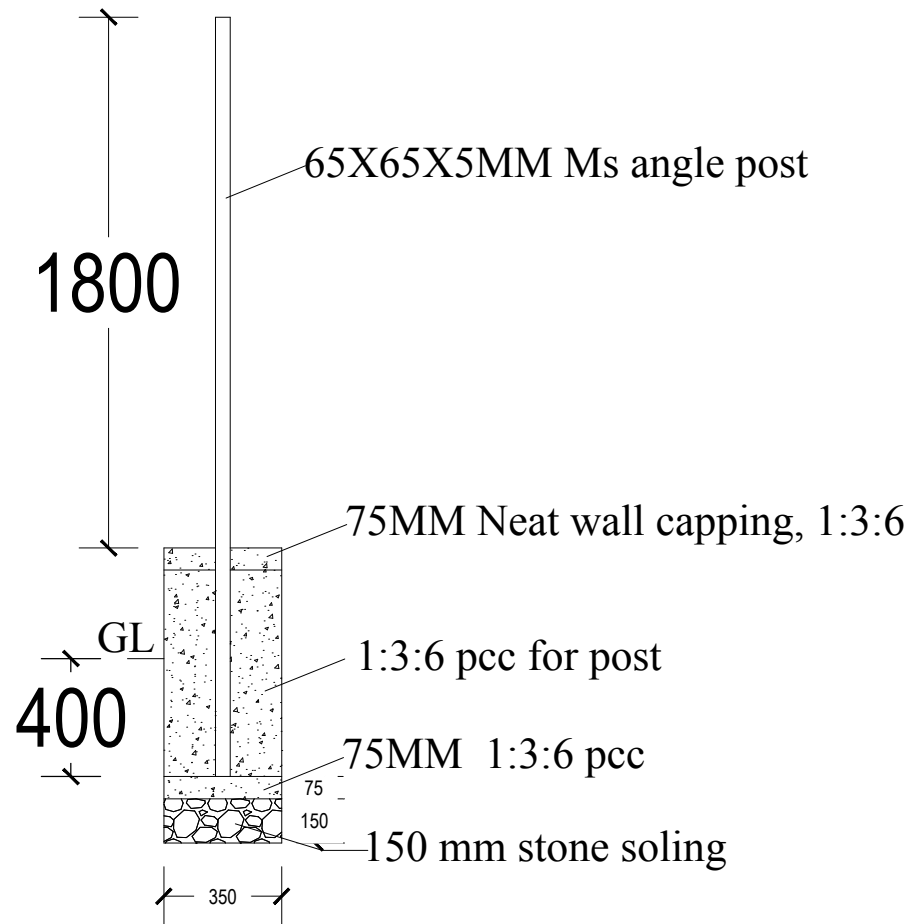
DRAWING NO.

01/03



Section across length

PROJECT TITLE: Haa Town FTTC	DRAWING TITLE: Section along length	Drawn by:	Designation	REVISION NO.	DATE	NOTES All dimensions are in mm unless otherwise stated. All levels are in metres. Dimensions are to be read and not to be measured. Do not scale the dimensions from the drawings. Any discrepancies in the drawings shall be brought to the notice of designers for timely rectification. Designers shall not be held responsible for faulty execution at site unless full time construction supervision is looked after by designers.	DRAWING NO. 02/03
	SCALE:-NTS	Sonam Zangpo	Civil (WR)		05/03/2021		



Section Across Width

PROJECT TITLE:

Haa Fencing

DRAWING TITLE:

Section

SCALE:-NTS

Drawn by:

Sonam Zangpo

Designation

Civil (WR)

REVISION NO.

DATE

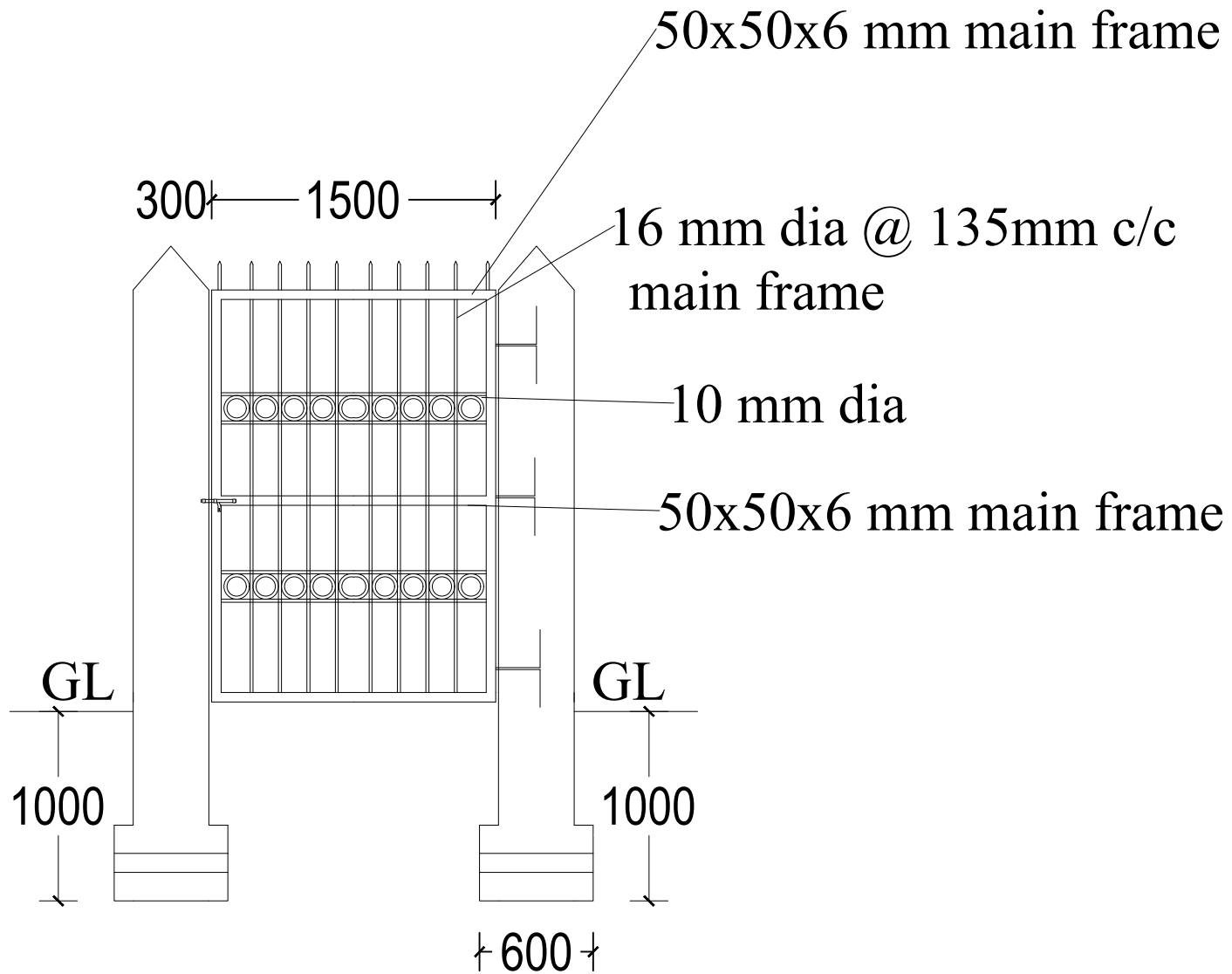
05/03/2021

NOTES

All dimensions are in mm unless otherwise stated.
 All levels are in metres.
 Dimensions are to be read and not to be measured.
 Do not scale the dimensions from the drawings.
 Any discrepancies in the drawings shall be brought to the notice of designers for timely rectification.
 Designers shall not be held responsible for faulty execution at site unless full time construction supervision is looked after by designers.

DRAWING NO.

01/03



PROJECT TITLE:

Gate

DRAWING TITLE:

Section

SCALE:-NTS

Drawn by:

Sonam Zangpo

Designation

Civil (WR)

REVISION NO.

DATE

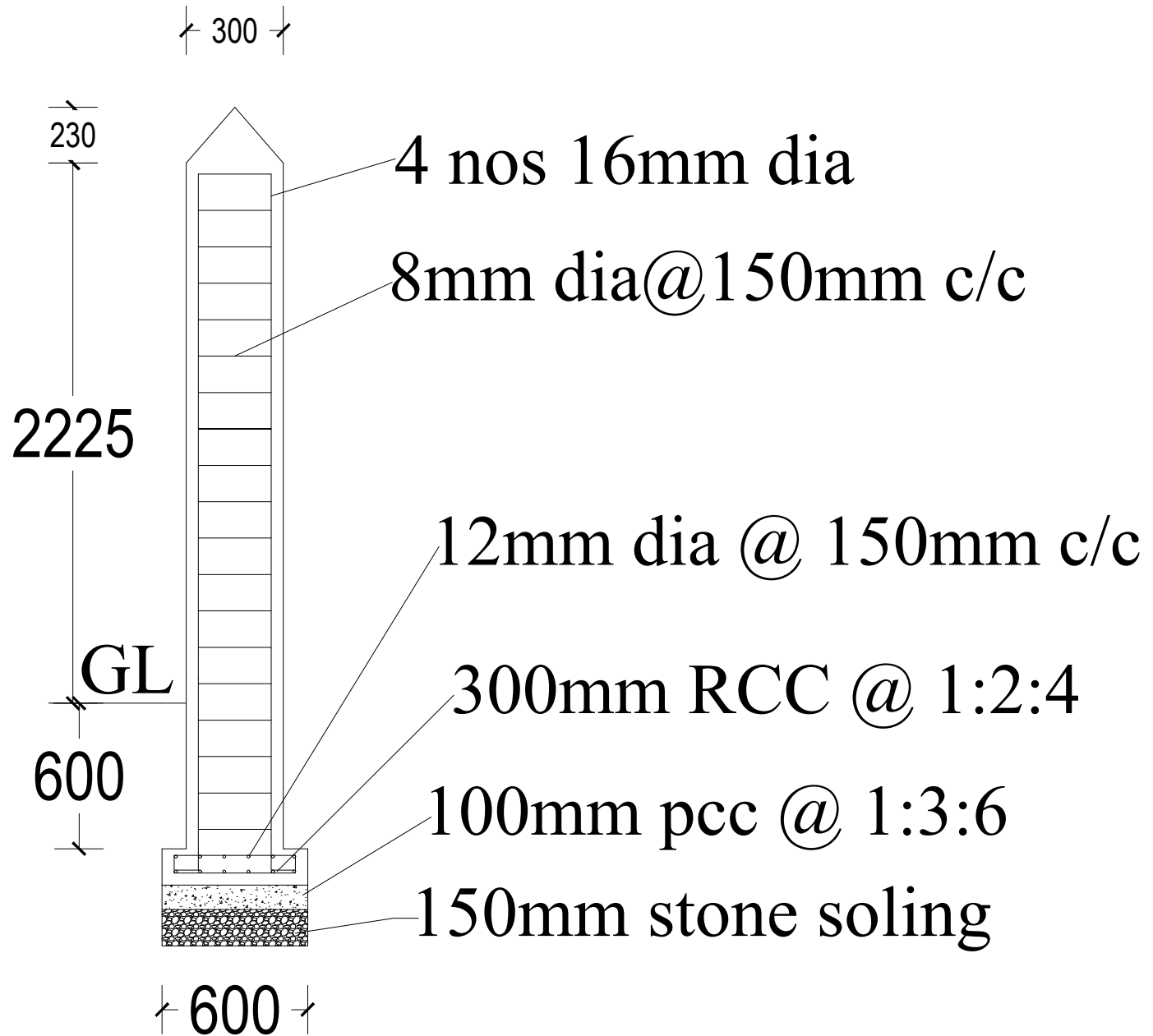
05/03/2021

NOTES

All dimensions are in mm unless otherwise stated.
 All levels are in metres.
 Dimensions are to be read and not to be measured.
 Do not scale the dimensions from the drawings.
 Any discrepancies in the drawings shall be brought
 to the notice of designers for timely rectification.
 Designers shall not be held responsible for faulty execution at site
 unless full time construction supervision is looked after by designers.

DRAWING NO.

01/03



PROJECT TITLE:

Gate

DRAWING TITLE:

Section

SCALE:-NTS

Drawn by:

Sonam Zangpo

Designation

Civil (WR)

REVISION NO.

DATE

05/03/2021

NOTES

All dimensions are in mm unless otherwise stated.
 All levels are in metres.
 Dimensions are to be read and not to be measured.
 Do not scale the dimensions from the drawings.
 Any discrepancies in the drawings shall be brought
 to the notice of designers for timely rectification.
 Designers shall not be held responsible for faulty execution at site
 unless full time construction supervision is looked after by designers.

DRAWING NO.

01/03