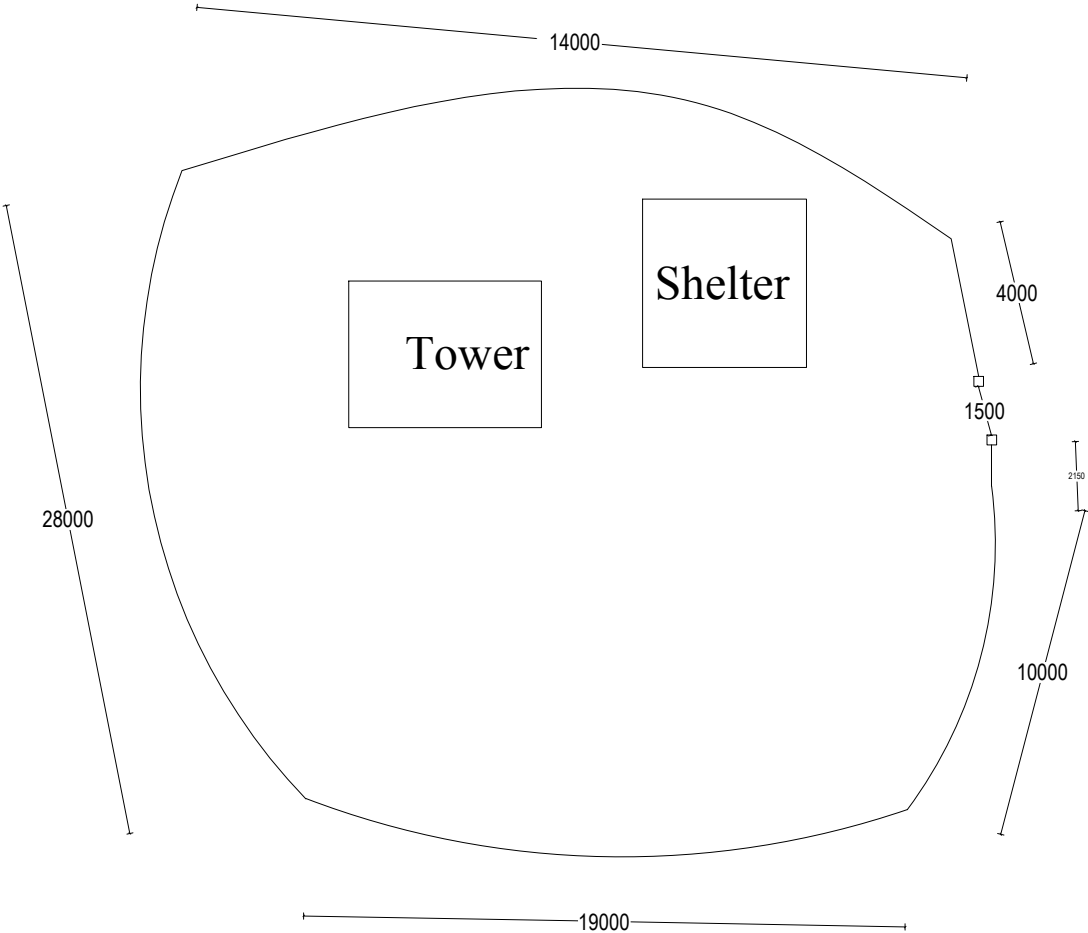


Plan



PROJECT TITLE:

Tangu Fencing

DRAWING TITLE:

Plan

SCALE:-NTS

Drawn by:

Sonam Zangpo

Designation

Civil (WR)

REVISION NO.

DATE

05/03/2021

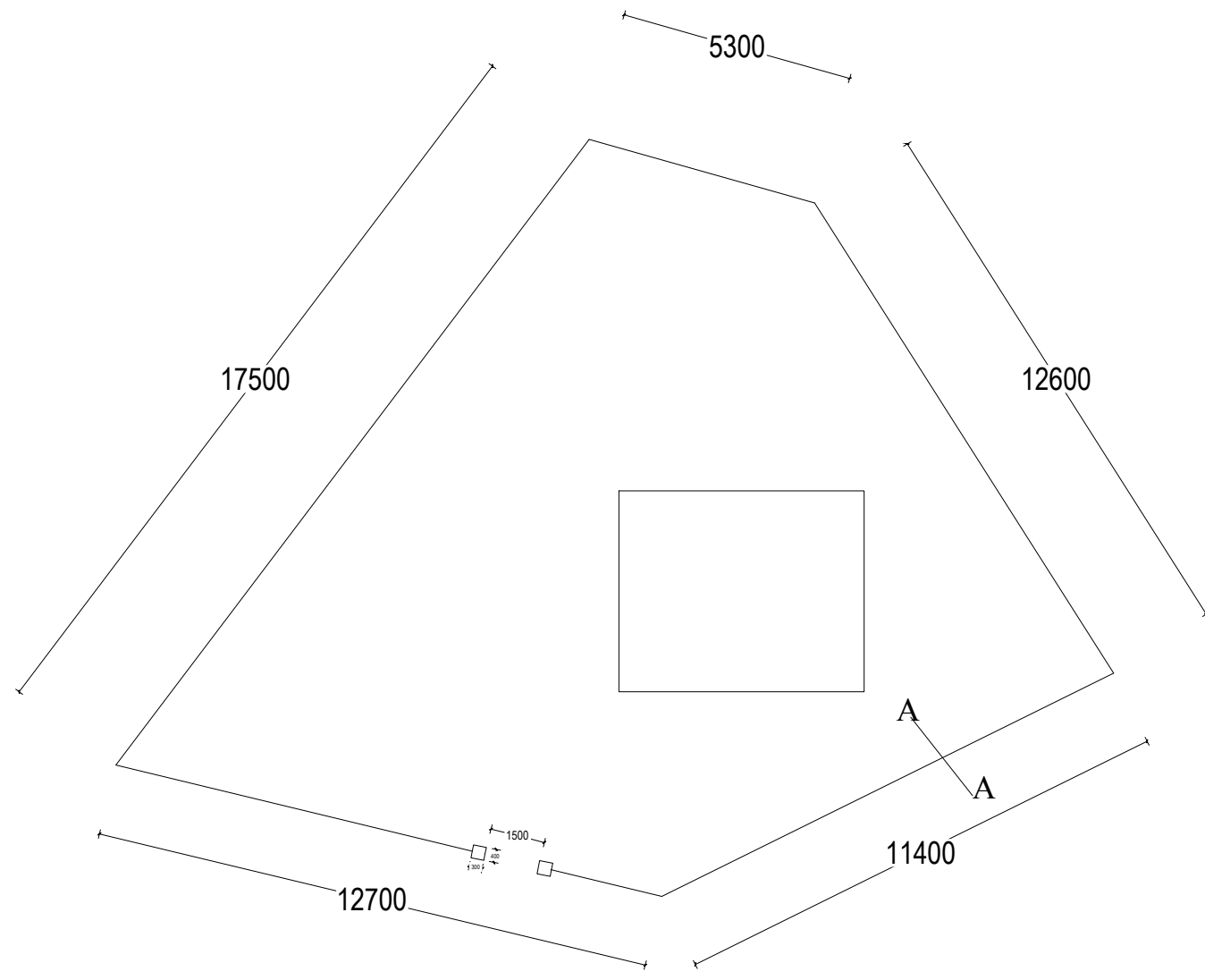
NOTES

All dimensions are in mm unless otherwise stated.
 All levels are in metres.
 Dimensions are to be read and not to be measured.
 Do not scale the dimensions from the drawings.
 Any discrepancies in the drawings shall be brought to the notice of designers for timely rectification.
 Designers shall not be held responsible for faulty execution at site unless full time construction supervision is looked after by designers.

DRAWING NO.

01/03

Plan



PROJECT TITLE:

Sampokto Fencing

DRAWING TITLE:

Plan

SCALE:-NTS

Drawn by:

Sonam Zangpo

Designation

Civil (WR)

REVISION NO.

DATE

05/03/2021

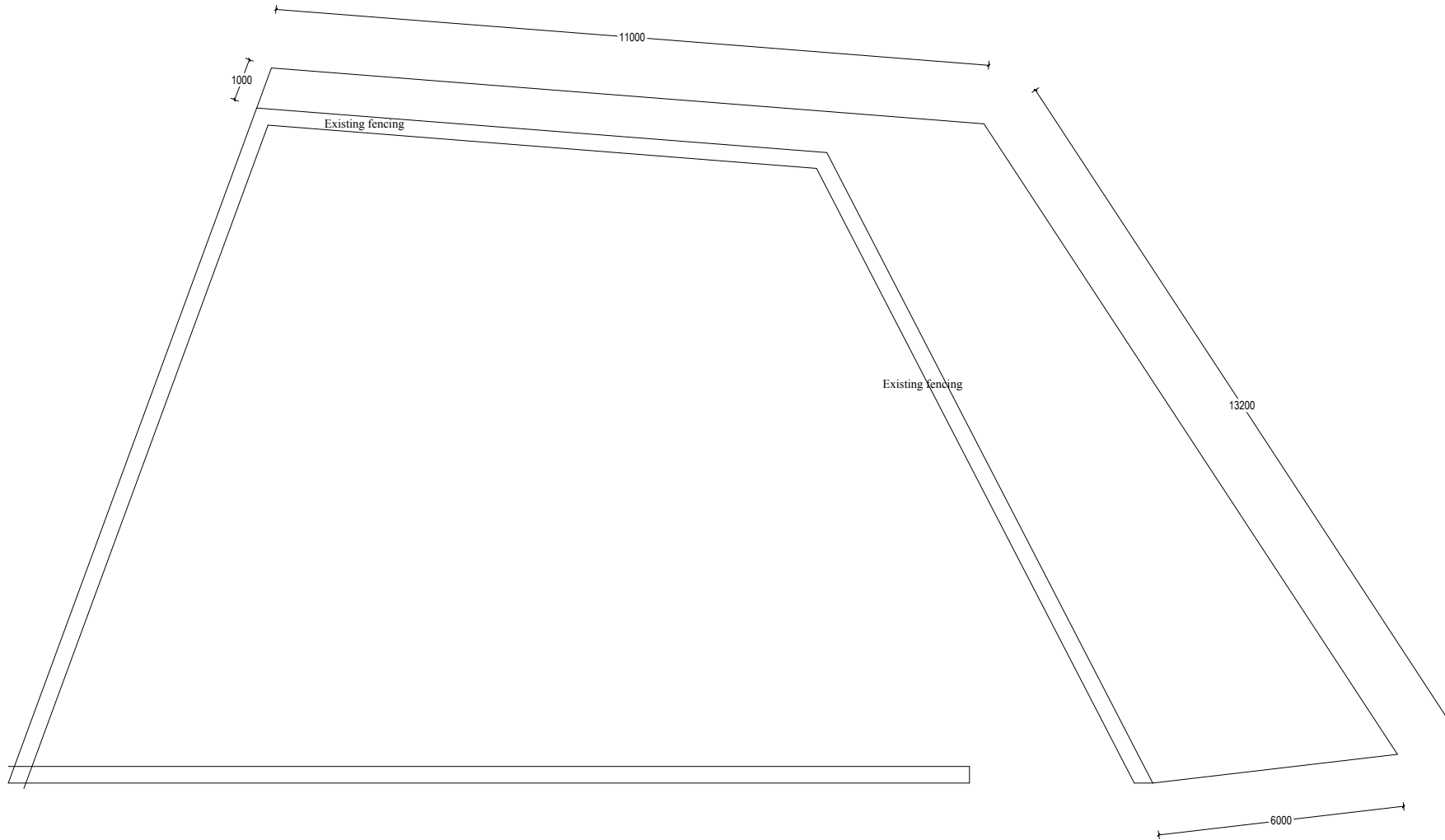
NOTES

All dimensions are in mm unless otherwise stated.
 All levels are in metres.
 Dimensions are to be read and not to be measured.
 Do not scale the dimensions from the drawings.
 Any discrepancies in the drawings shall be brought to the notice of designers for timely rectification.
 Designers shall not be held responsible for faulty execution at site unless full time construction supervision is looked after by designers.

DRAWING NO.

01/03

Plan



PROJECT TITLE:

Dotey Fencing

DRAWING TITLE:

Plan

SCALE:-NTS

Drawn by:

Sonam Zangpo

Designation

Civil (WR)

REVISION NO.

DATE

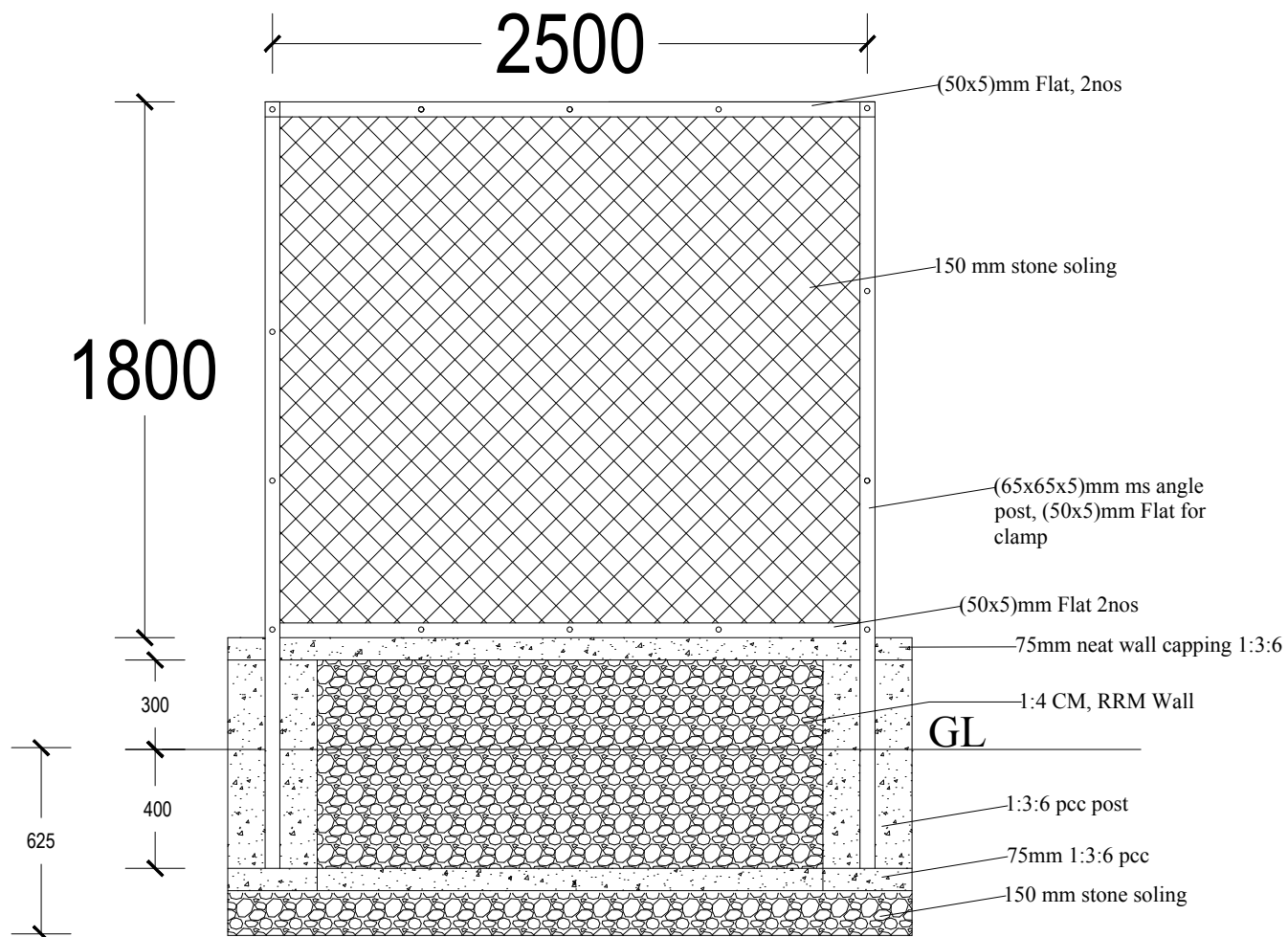
05/03/2021

NOTES

All dimensions are in mm unless otherwise stated.
 All levels are in metres.
 Dimensions are to be read and not to be measured.
 Do not scale the dimensions from the drawings.
 Any discrepancies in the drawings shall be brought
 to the notice of designers for timely rectification.
 Designers shall not be held responsible for faulty execution at site
 unless full time construction supervision is looked after by designers.

DRAWING NO.

01/03



Section across length

PROJECT TITLE:
Tangu Fencing

DRAWING TITLE:
Section along length

SCALE:-NTS

Drawn by:

Sonam Zangpo

Designation

Civil (WR)

REVISION NO.

DATE

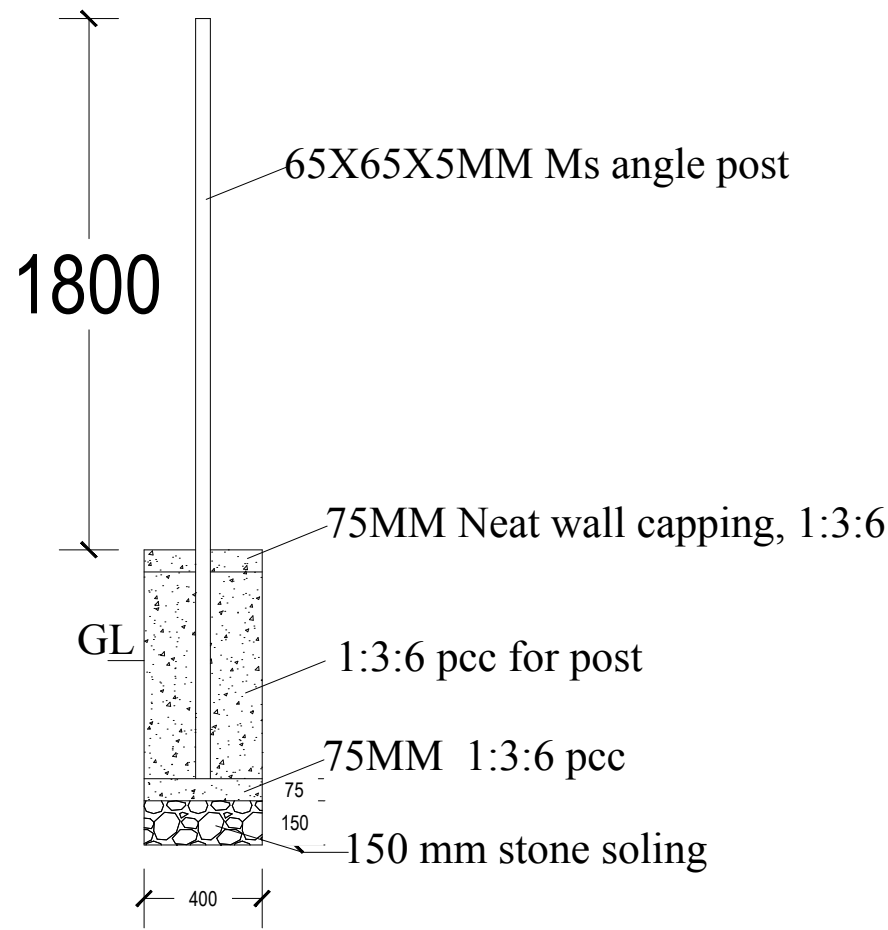
05/03/2021

NOTES

All dimensions are in mm unless otherwise stated.
All levels are in metres.
Dimensions are to be read and not to be measured.
Do not scale the dimensions from the drawings.
Any discrepancies in the drawings shall be brought to the notice of designers for timely rectification.
Designers shall not be held responsible for faulty execution at site unless full time construction supervision is looked after by designers.

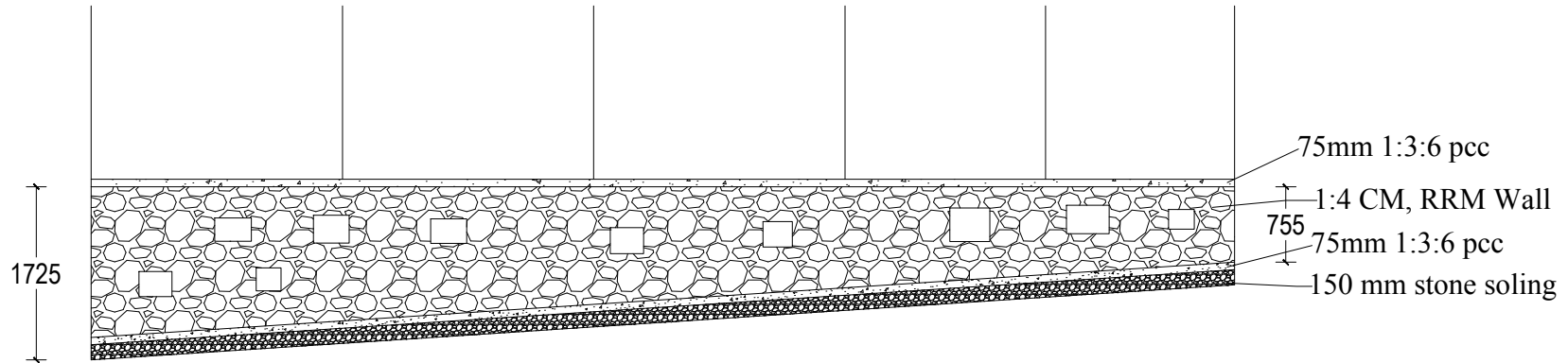
DRAWING NO.

02/03

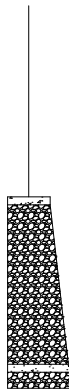


Section Across Width

PROJECT TITLE: Dotey Fencing	DRAWING TITLE: Section Along width	Drawn by:	Designation	REVISION NO.	DATE	NOTES All dimensions are in mm unless otherwise stated. All levels are in metres. Dimensions are to be read and not to be measured. Do not scale the dimensions from the drawings. Any discrepancies in the drawings shall be brought to the notice of designers for timely rectification. Designers shall not be held responsible for faulty execution at site unless full time construction supervision is looked after by designers.	DRAWING NO. 01/03
	SCALE:-NTS	Sonam Zangpo	Civil (WR)				



Retaining wall



600

Section along A-A

PROJECT TITLE:

Sampokto Fencing

DRAWING TITLE:

Retaining Wall

Drawn by:

Sonam Zangpo

Designation

Civil (WR)

REVISION NO.

DATE

05/03/2021

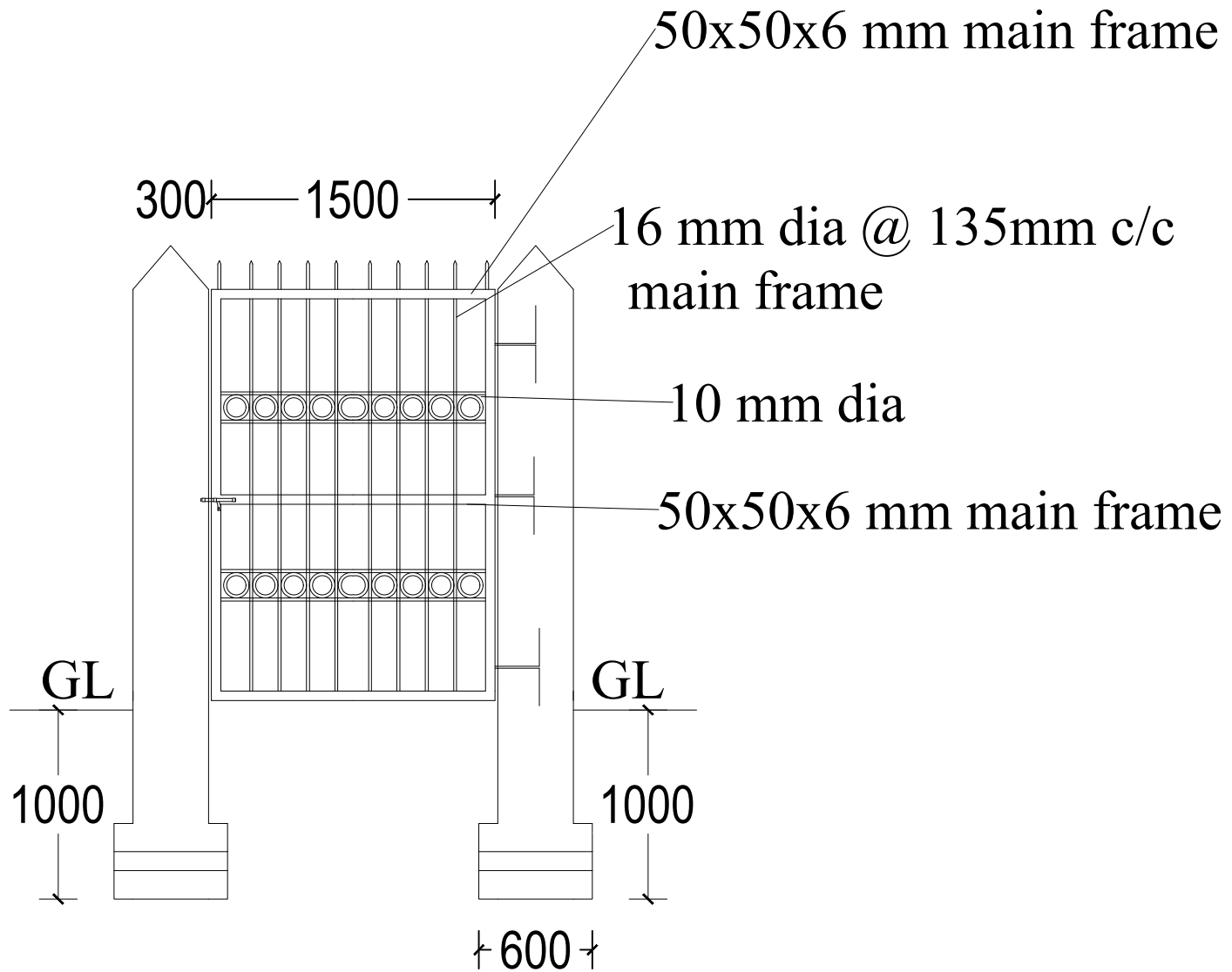
NOTES

All dimensions are in mm unless otherwise stated.
 All levels are in metres.
 Dimensions are to be read and not to be measured.
 Do not scale the dimensions from the drawings.
 Any discrepancies in the drawings shall be brought to the notice of designers for timely rectification.
 Designers shall not be held responsible for faulty execution at site unless full time construction supervision is looked after by designers.

DRAWING NO.

01/03

SCALE:-NTS



PROJECT TITLE:

Gate

DRAWING TITLE:

Section

SCALE:-NTS

Drawn by:

Sonam Zangpo

Designation

Civil (WR)

REVISION NO.

DATE

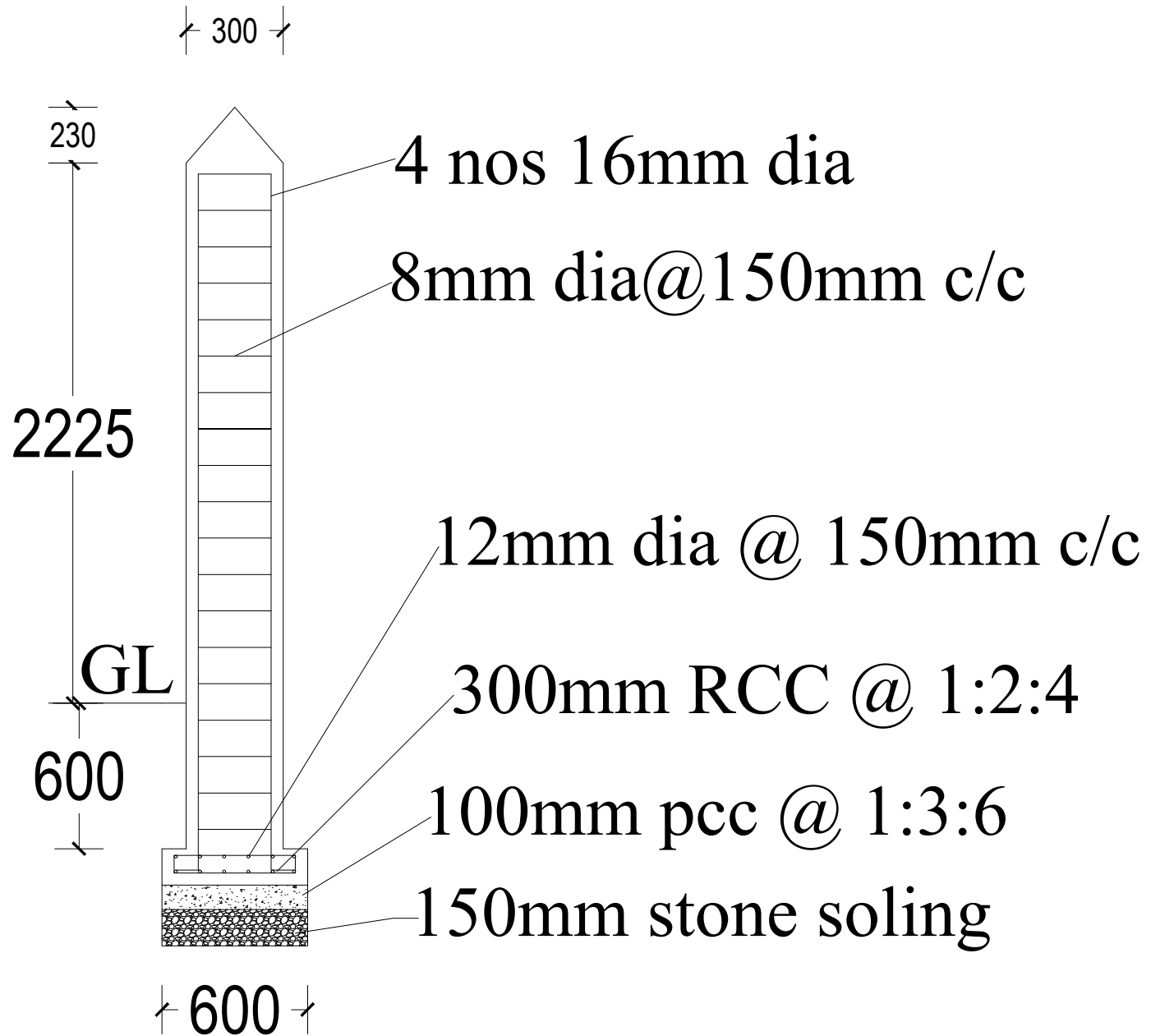
05/03/2021

NOTES

All dimensions are in mm unless otherwise stated.
 All levels are in metres.
 Dimensions are to be read and not to be measured.
 Do not scale the dimensions from the drawings.
 Any discrepancies in the drawings shall be brought to the notice of designers for timely rectification.
 Designers shall not be held responsible for faulty execution at site unless full time construction supervision is looked after by designers.

DRAWING NO.

01/03



PROJECT TITLE:

Gate

DRAWING TITLE:

Section

SCALE:-NTS

Drawn by:

Sonam Zangpo

Designation

Civil (WR)

REVISION NO.

DATE

05/03/2021

NOTES

All dimensions are in mm unless otherwise stated.
 All levels are in metres.
 Dimensions are to be read and not to be measured.
 Do not scale the dimensions from the drawings.
 Any discrepancies in the drawings shall be brought
 to the notice of designers for timely rectification.
 Designers shall not be held responsible for faulty execution at site
 unless full time construction supervision is looked after by designers.

DRAWING NO.

01/03