

PROJECT TITLE:

Hand hole.

DRAWING TITLE:

section

SCALE:-NTS

Drawn by:

Sonam Zangpo

Designation

Civil (WR)

REVISION NO.

DATE

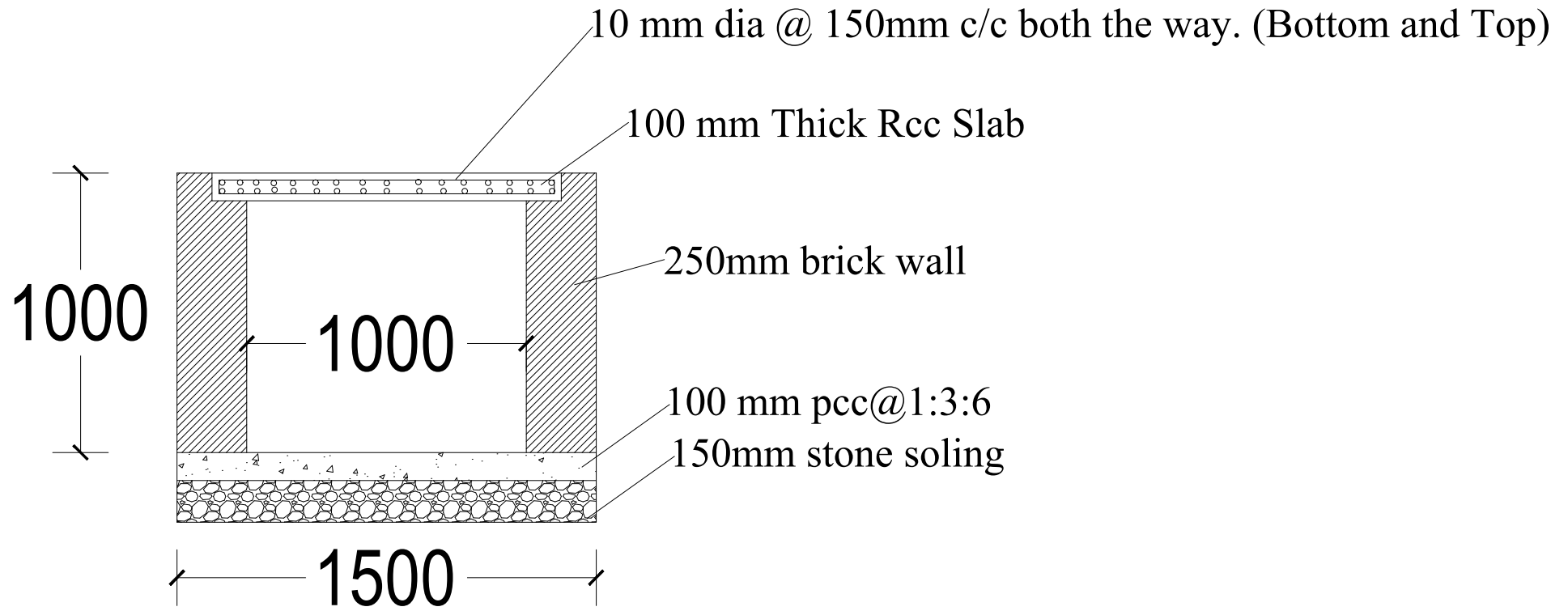
05/03/2021

NOTES

All dimensions are in mm unless otherwise stated.
 All levels are in metres.
 Dimensions are to be read and not to be measured.
 Do not scale the dimensions from the drawings.
 Any discrepancies in the drawings shall be brought to the notice of designers for timely rectification.
 Designers shall not be held responsible for faulty execution at site unless full time construction supervision is looked after by designers.

DRAWING NO.

01/02



Section

PROJECT TITLE:

Hand hole.

DRAWING TITLE:

Section across width

SCALE:-NTS

Drawn by:

Sonam Zangpo

Designation

Civil (WR)

REVISION NO.

DATE

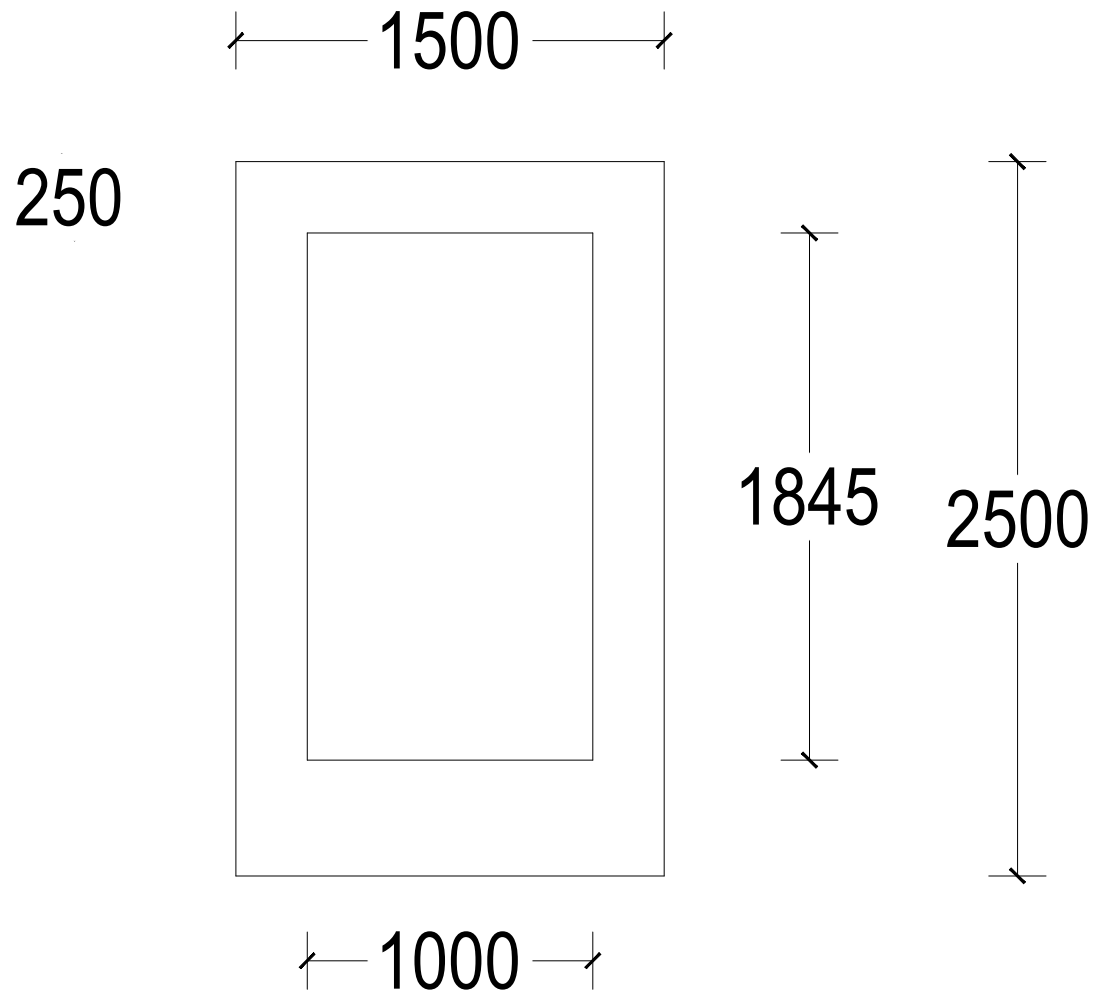
05/03/2021

NOTES

All dimensions are in mm unless otherwise stated.
 All levels are in metres.
 Dimensions are to be read and not to be measured.
 Do not scale the dimensions from the drawings.
 Any discrepancies in the drawings shall be brought to the notice of designers for timely rectification.
 Designers shall not be held responsible for faulty execution at site unless full time construction supervision is looked after by designers.

DRAWING NO.

02/02



PROJECT TITLE:

Hand hole.

DRAWING TITLE:

Plan

Drawn by:

Sonam Zangpo

Designation

Civil (WR)

REVISION NO.

DATE

05/03/2021

NOTES

All dimensions are in mm unless otherwise stated.
 All levels are in metres.
 Dimensions are to be read and not to be measured.
 Do not scale the dimensions from the drawings.
 Any discrepancies in the drawings shall be brought to the notice of designers for timely rectification.
 Designers shall not be held responsible for faulty execution at site unless full time construction supervision is looked after by designers.

DRAWING NO.

01/02

SCALE:-NTS