

Plan

PROJECT TITLE:

Construction of fencing at Gasa
PC

DRAWING TITLE:

SITE PLAN

SCALE:-NTS

Drawn by:

Sonam Zangpo

Designation

Civil (WR)

REVISION NO.

DATE

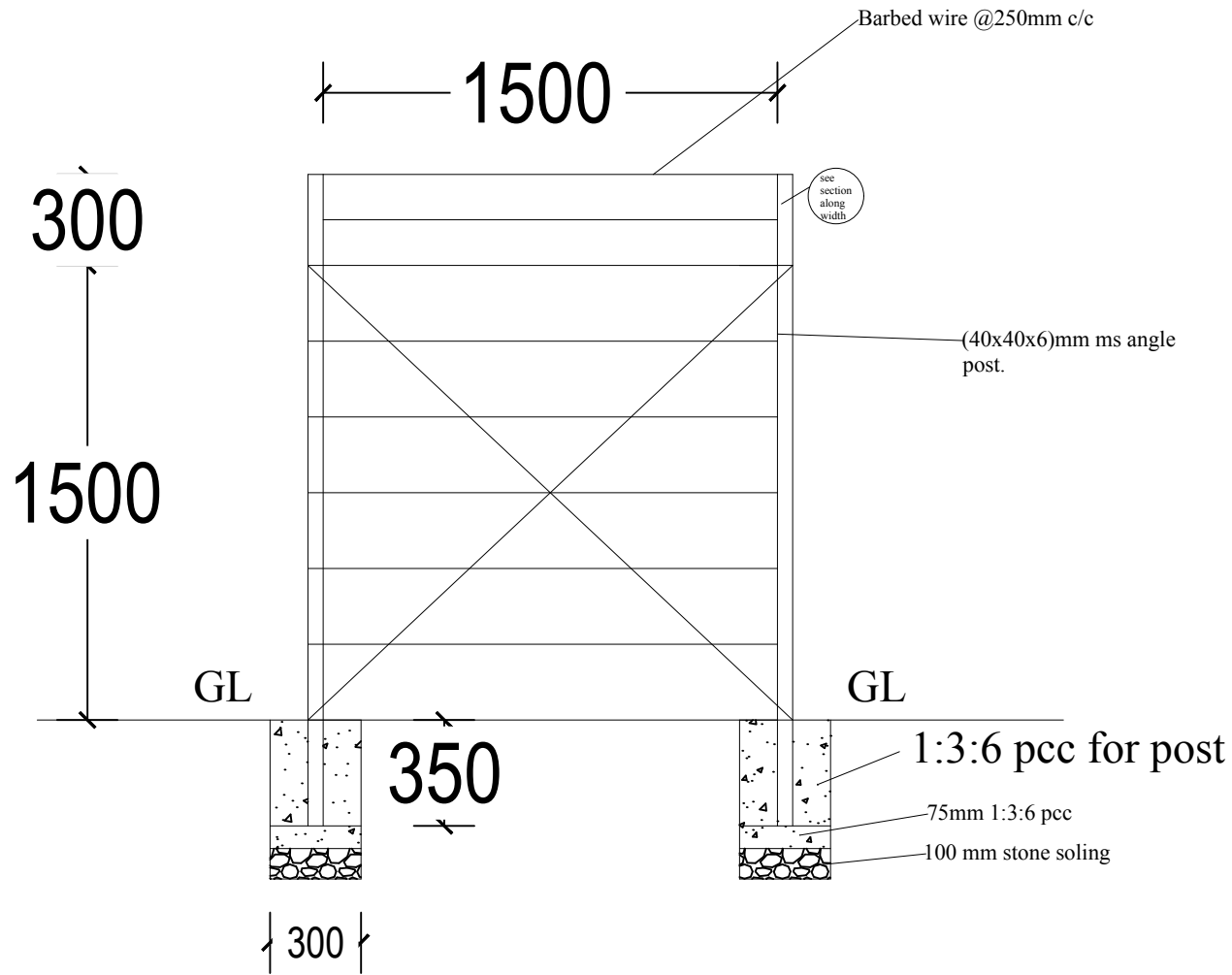
02/03/2021

NOTES

All dimensions are in mm unless otherwise stated.
All levels are in metres.
Dimensions are to be read and not to be measured.
Do not scale the dimensions from the drawings.
Any discrepancies in the drawings shall be brought
to the notice of designers for timely rectification.
Designers shall not be held responsible for faulty execution at site
unless full time construction supervision is looked after by designers.

DRAWING NO.

01/03



Section across length

PROJECT TITLE:

Gasa Gate

DRAWING TITLE:

Section

SCALE:-NTS

Drawn by:

Sonam Zangpo

Designation

Civil (WR)

REVISION NO.

DATE

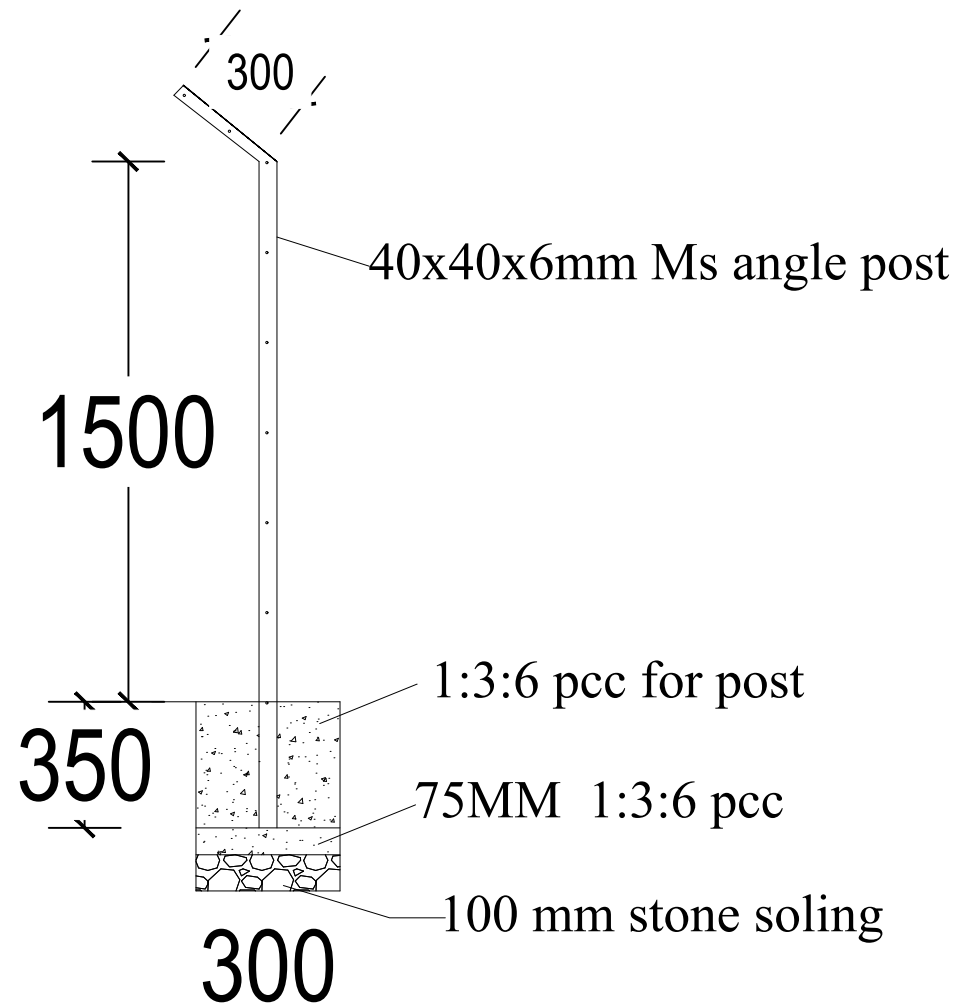
05/03/2021

NOTES

All dimensions are in mm unless otherwise stated.
 All levels are in metres.
 Dimensions are to be read and not to be measured.
 Do not scale the dimensions from the drawings.
 Any discrepancies in the drawings shall be brought to the notice of designers for timely rectification.
 Designers shall not be held responsible for faulty execution at site unless full time construction supervision is looked after by designers.

DRAWING NO.

01/03



Section Across Width

PROJECT TITLE:

Gasa Fencing

DRAWING TITLE:

Section

Drawn by:

Sonam Zangpo

Designation

Civil (WR)

REVISION NO.

DATE

05/03/2021

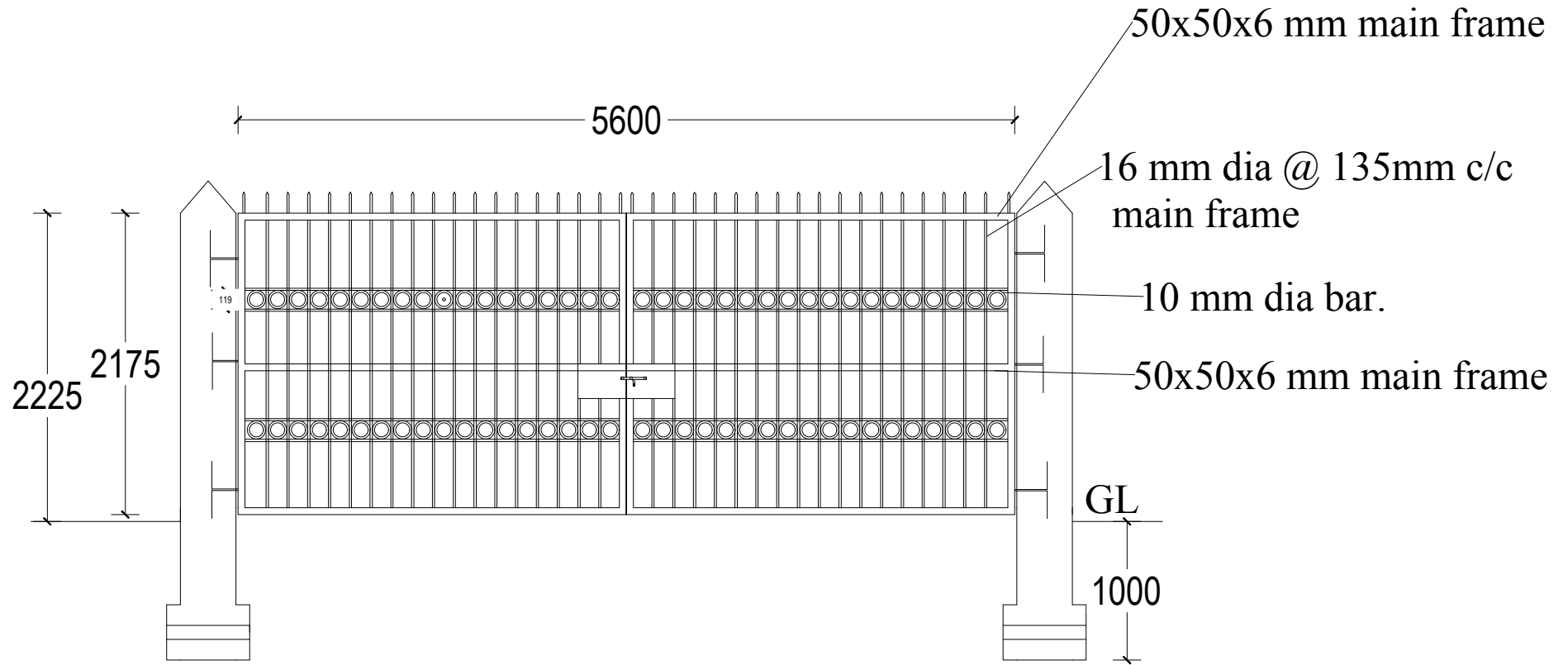
NOTES

All dimensions are in mm unless otherwise stated.
 All levels are in metres.
 Dimensions are to be read and not to be measured.
 Do not scale the dimensions from the drawings.
 Any discrepancies in the drawings shall be brought to the notice of designers for timely rectification.
 Designers shall not be held responsible for faulty execution at site unless full time construction supervision is looked after by designers.

DRAWING NO.

01/03

SCALE:-NTS



PROJECT TITLE:

Gate

DRAWING TITLE:

Section

SCALE:-NTS

Drawn by:

Sonam Zangpo

Designation

Civil (WR)

REVISION NO.

DATE

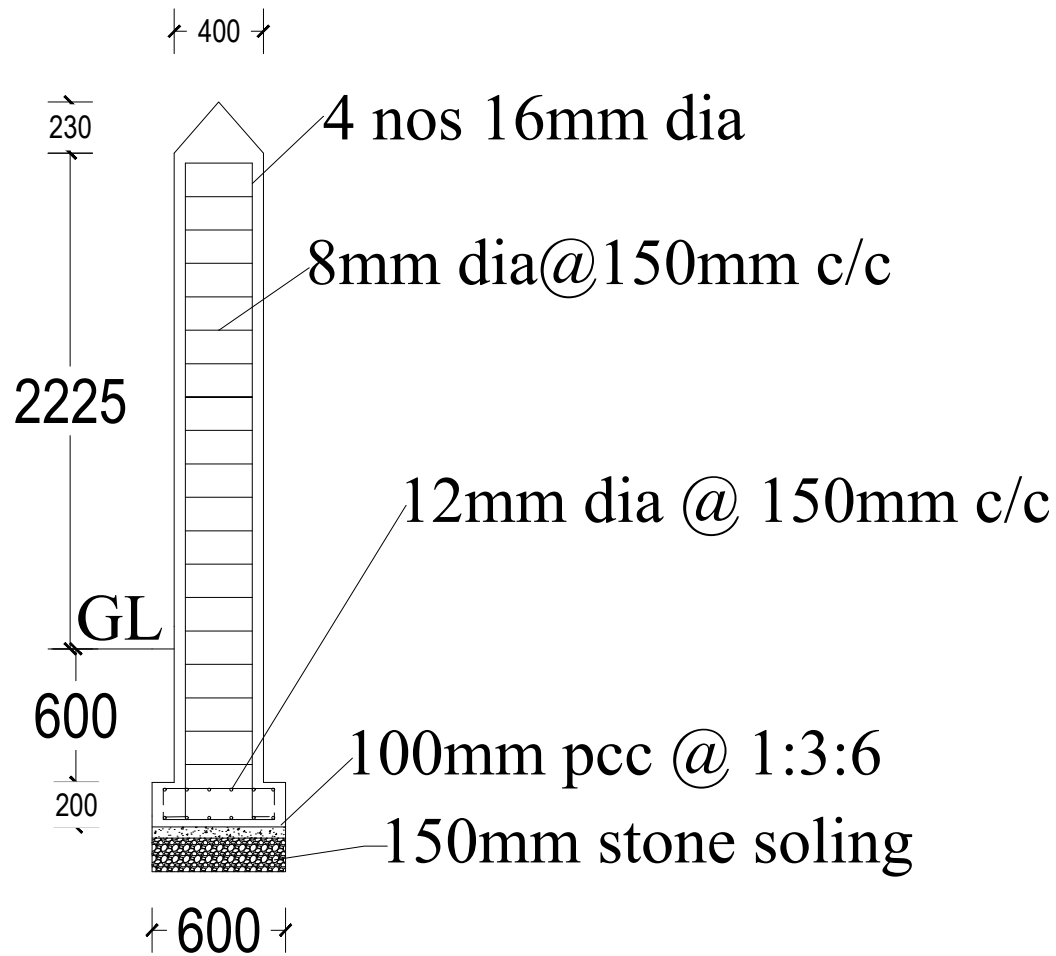
05/03/2021

NOTES

All dimensions are in mm unless otherwise stated.
 All levels are in metres.
 Dimensions are to be read and not to be measured.
 Do not scale the dimensions from the drawings.
 Any discrepancies in the drawings shall be brought to the notice of designers for timely rectification.
 Designers shall not be held responsible for faulty execution at site unless full time construction supervision is looked after by designers.

DRAWING NO.

01/03



PROJECT TITLE:

Gasa Gate

DRAWING TITLE:

Section

SCALE:-NTS

Drawn by:

Sonam Zangpo

Designation

Civil (WR)

REVISION NO.

DATE

05/03/2021

NOTES

All dimensions are in mm unless otherwise stated.
 All levels are in metres.
 Dimensions are to be read and not to be measured.
 Do not scale the dimensions from the drawings.
 Any discrepancies in the drawings shall be brought to the notice of designers for timely rectification.
 Designers shall not be held responsible for faulty execution at site unless full time construction supervision is looked after by designers.

DRAWING NO.

01/03