



**Round table**



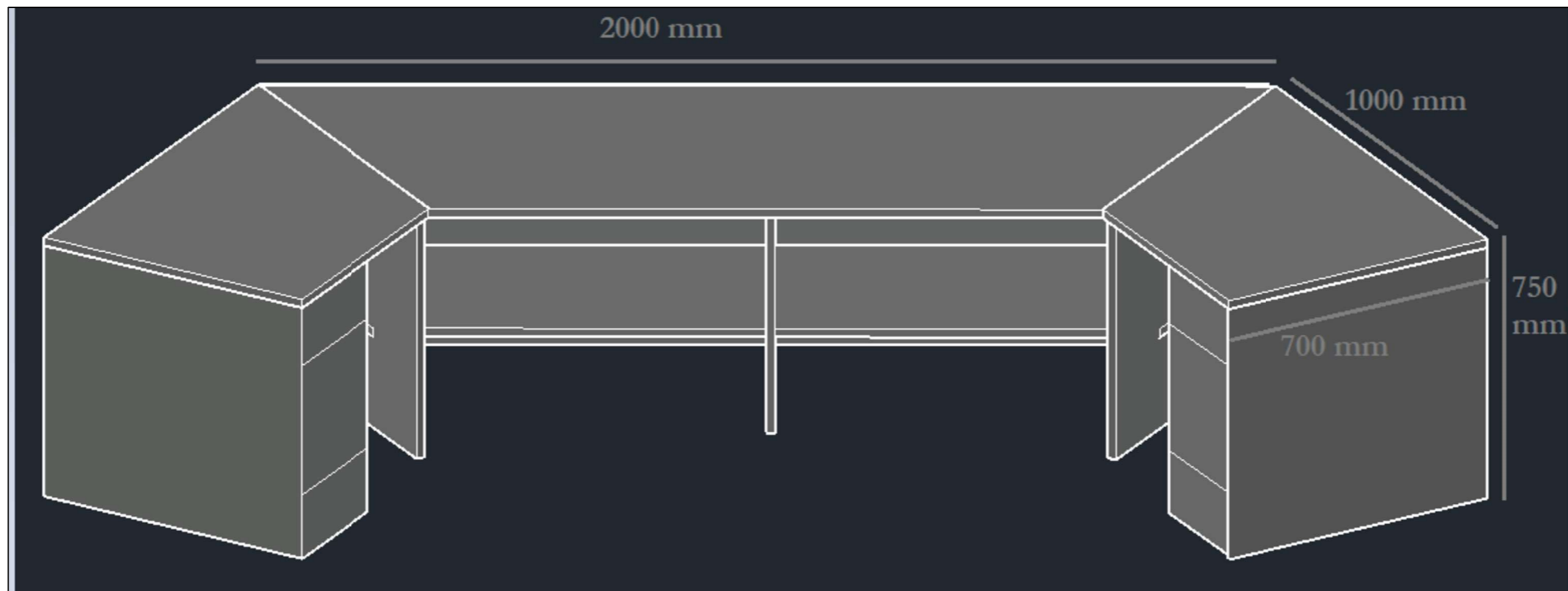
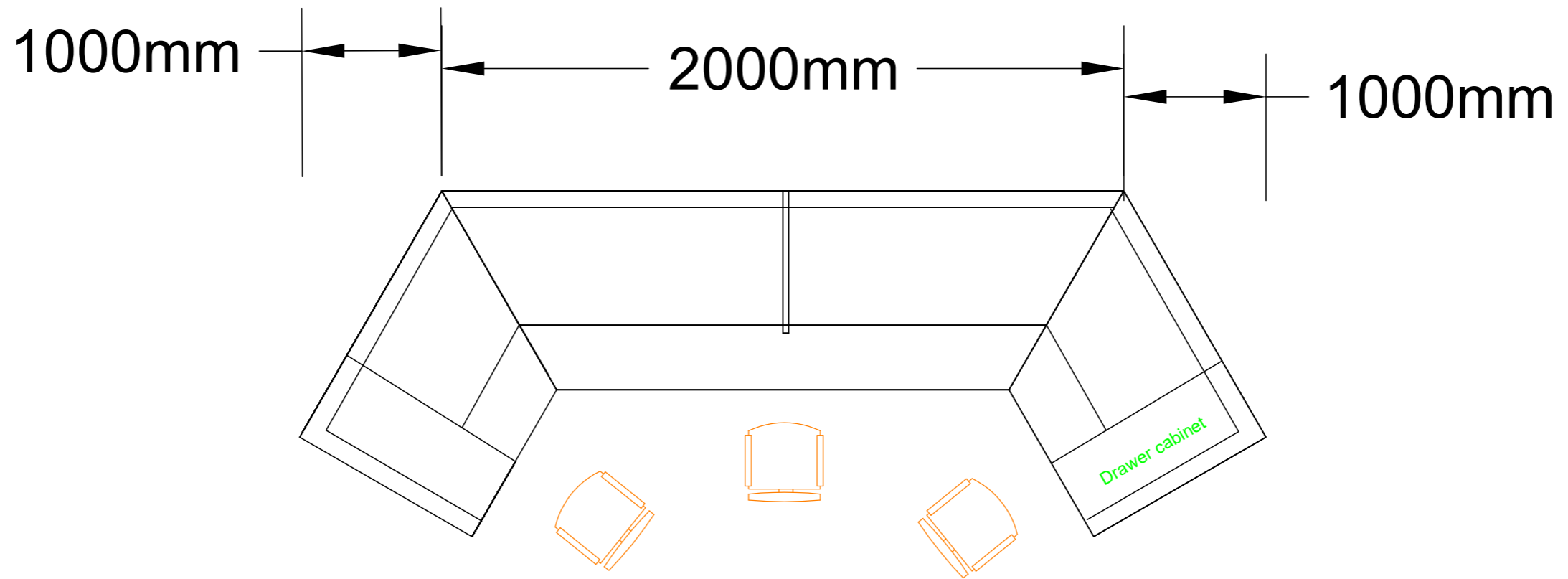
**Periodical Table**



**File Rack**



**6 Seater mini conference Table**



FURNITURE DESIGN						
OWNER:	DESIGN & DRAWN BY:	CHECKED BY:	APPROVED BY:	REVISION NO.	DRG. TITLE :	PLOT NO.
Druk Holding & Investments Ltd.	SONAM PELDEN ANALYST (ELECT)			00	AS STATED	SCALE NTS
						SHEET NO EL.-1