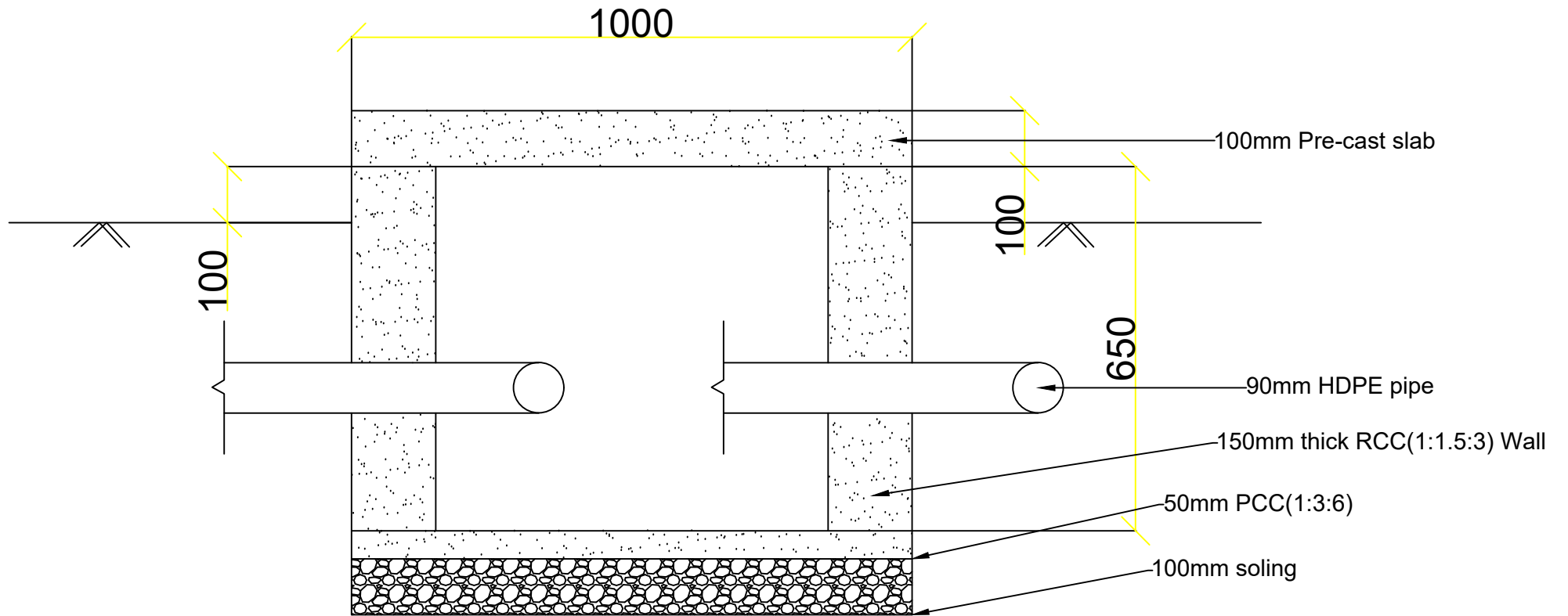


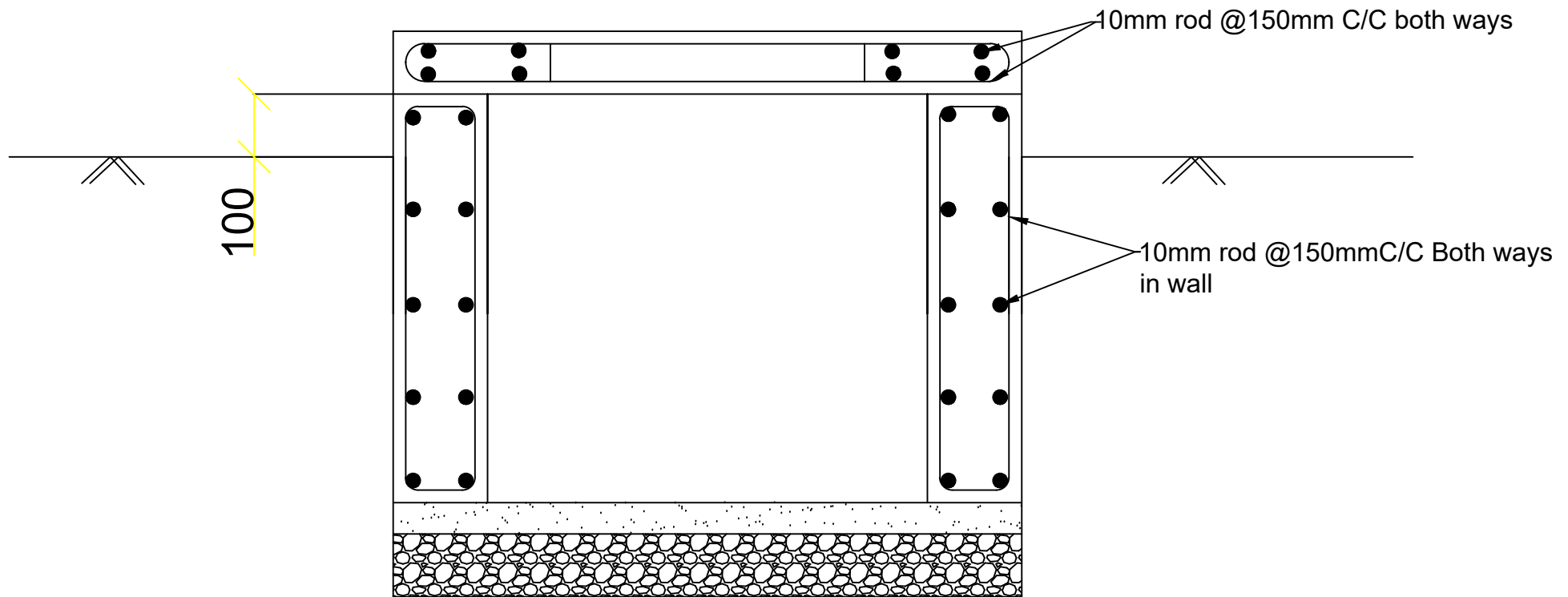
PLAN

Project name		Cabinet stand		Owner	Note	Revision note:	Date	Revision no:	1		
Drawing Title		Plan				Mr.	All diminsion are in mm unless mentioned.			Scale:	NTS
Location		Pling						Drawn by:	Mr.Khem Raj Ghalley		
Plot no.:	12	Thram no.:	12	Checked by:	Mr.	Revision by:	mr	Drawing no.	1		



Section View A-A

Project name		Cabinet stand		Owner	Note	Revision note:	Date	Revision no:	1						
Drawing Title		Section						Mr.	All diminsion are in mm unless mentioned.			Scale:	NTS		
Location		Pling										Drawn by:	Mr.Khem Raj Ghalley	Date:	1/4/2026
Plot no.:	12	Thram no.:	12									Checked by:	Mr.	Revision by:	mr



Section View A-A

Project name		Cabinet stand		Owner	Note	Revision note:	Date	Revision no:	1					
Drawing Title		Section						Mr.	All diminsion are in mm unless mentioned.			Scale:	NTS	
Location		Pling	Drawn by:									Mr.Khem Raj Ghalley	Date:	1/4/2026
Plot no.:	12	Thram no.:	12									Checked by	Mr.	Revision by: