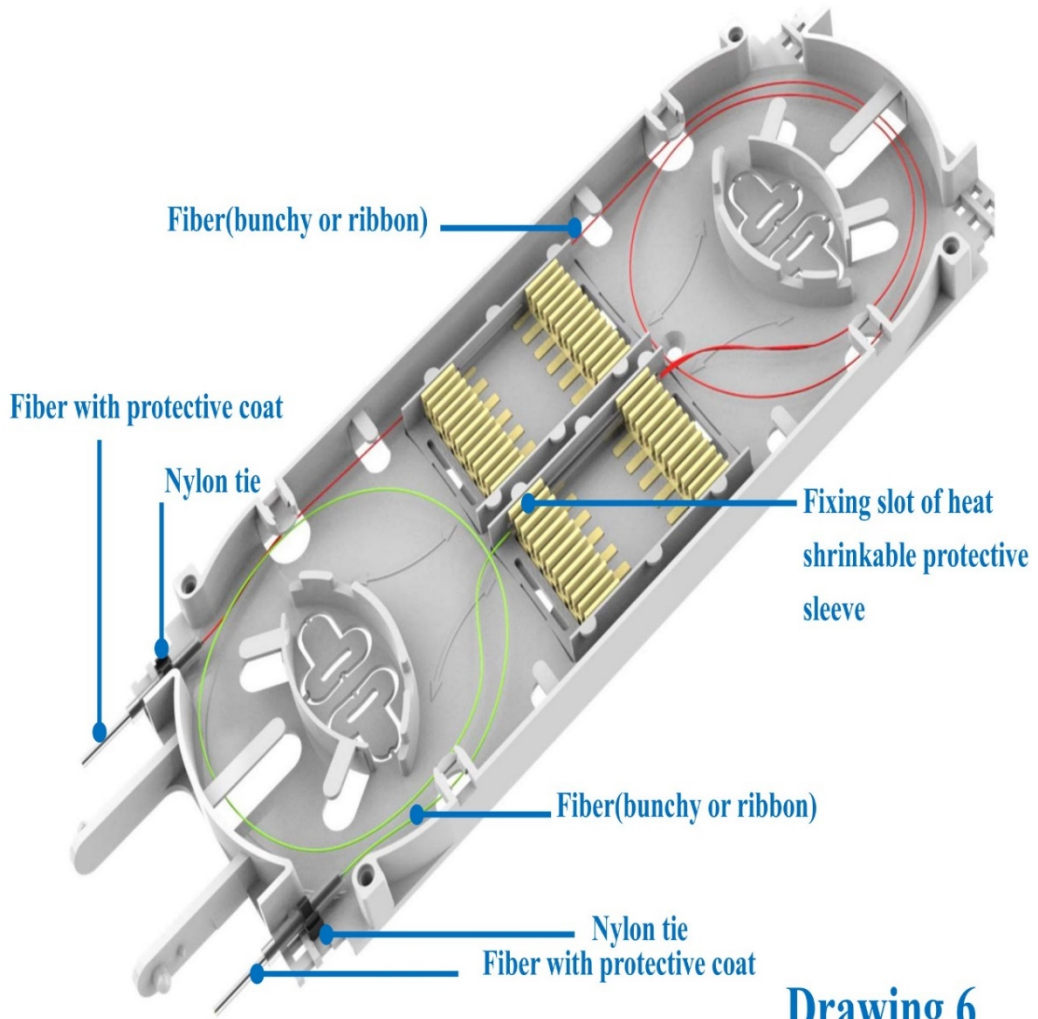


**Drawing 2**

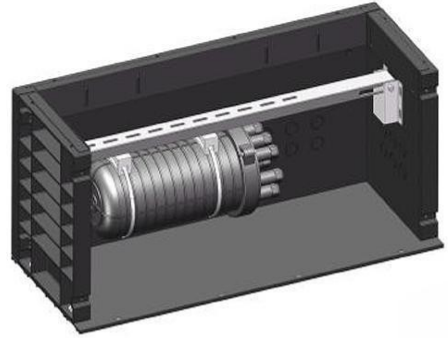


**Drawing 6**

**Strand Overhead application.**



**Underground application.**



**Pole application.**



**Wall mounting application.**



## 1. ADSS joint Enclosure(24 Core)

Sl.No	Parameter	Max Fiber Capacity	Unit	Particulars
1	Outside dimension (H*D)		mm	(415 x 190) ±20
2	Weight		g	2500 ~3100
3	Colour and finish			Black, Matt
4	Cable Glanding			Yes
5	Construction materials and gauge			Engineering polymers
6	Type			Round Cylindrical & Pole mountable.
7	Total number of optical couplings		each	24
8	Degree of protection		IP	68
9	Describe sealing method			Mechanical clamp with gasket
10	Accessories required			Fixing bolts & clamps for pole mounting and other required accessories.
<b>Optical fiber cable accommodation</b>				
10	Cable Glanding			Yes
11	Maximum number of cables that can be accommodated		each	4
12	Diameter of fiber cable		mm	8~16
13	Describe cable entries			Cable gland
<b>Cable termination splice accommodation</b>				
14	Maximum number of splice trays		each	4
15	Number of splice tray		each	6
16	Splice tray dimension (H*B)		mm	