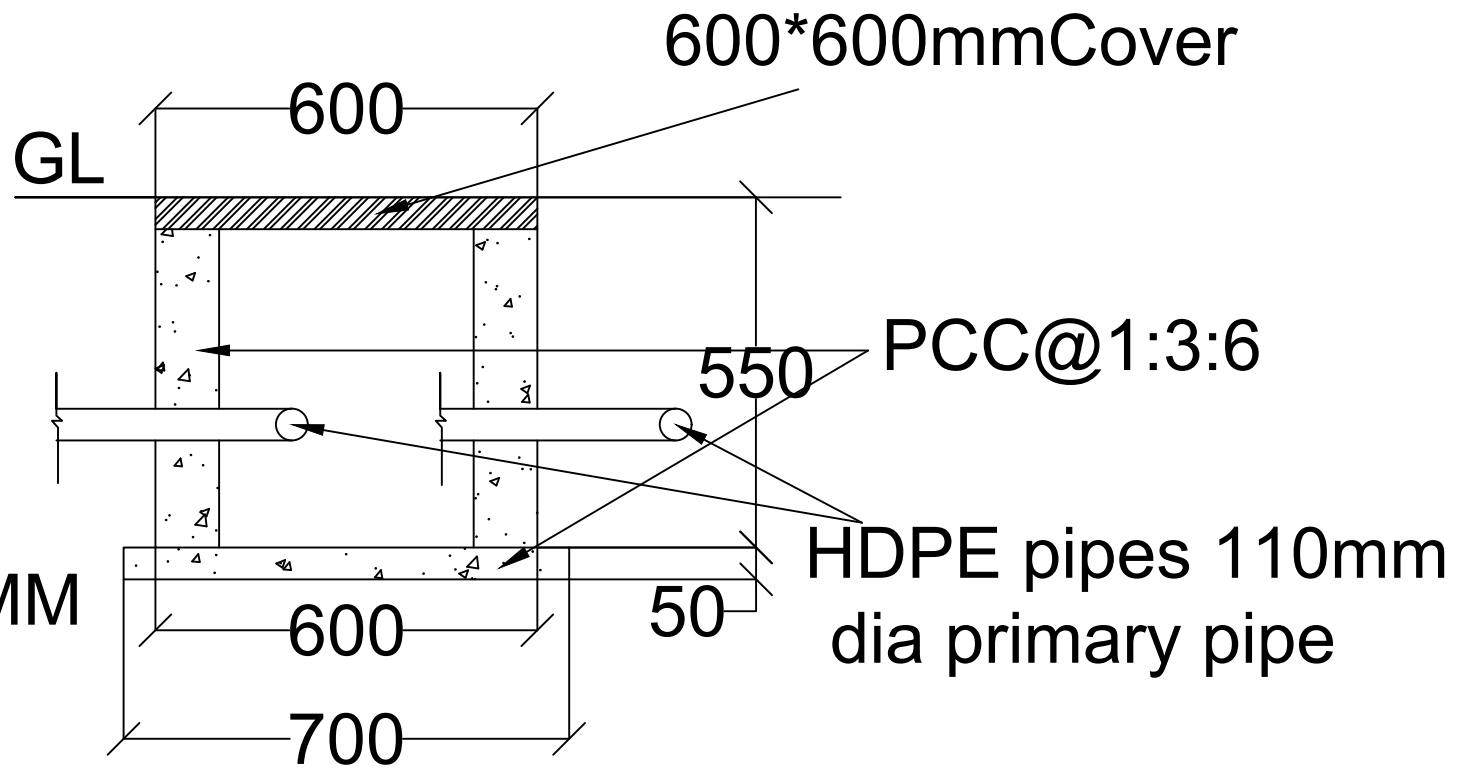
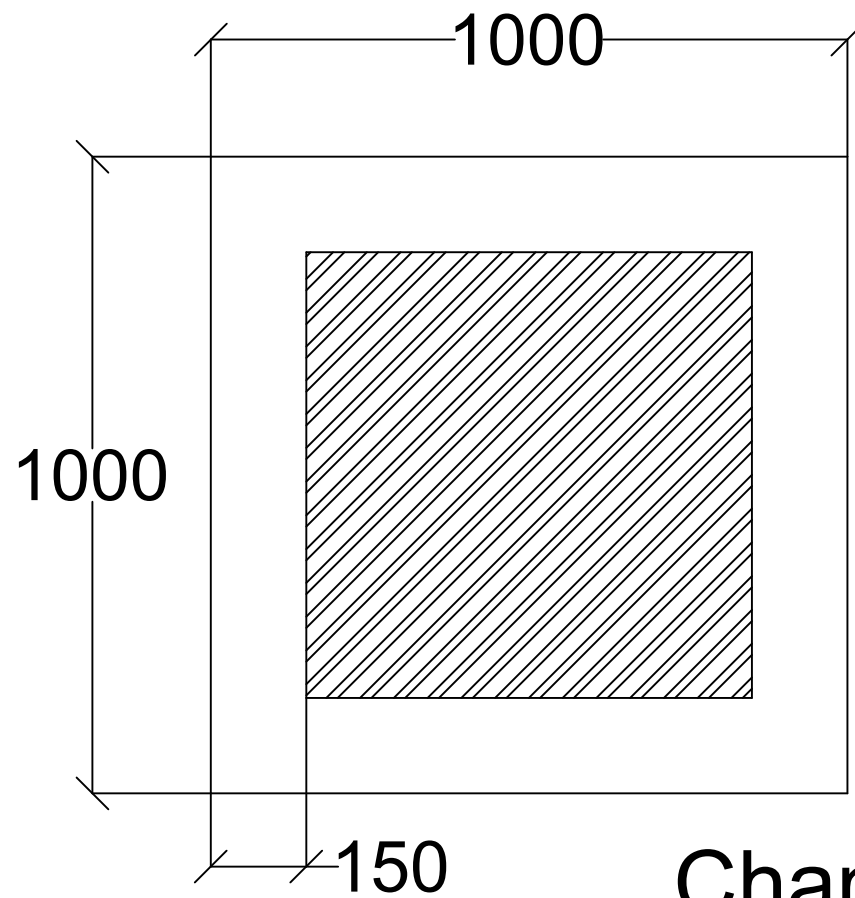


Handhole



All Dimensions are in MM



Chamber

