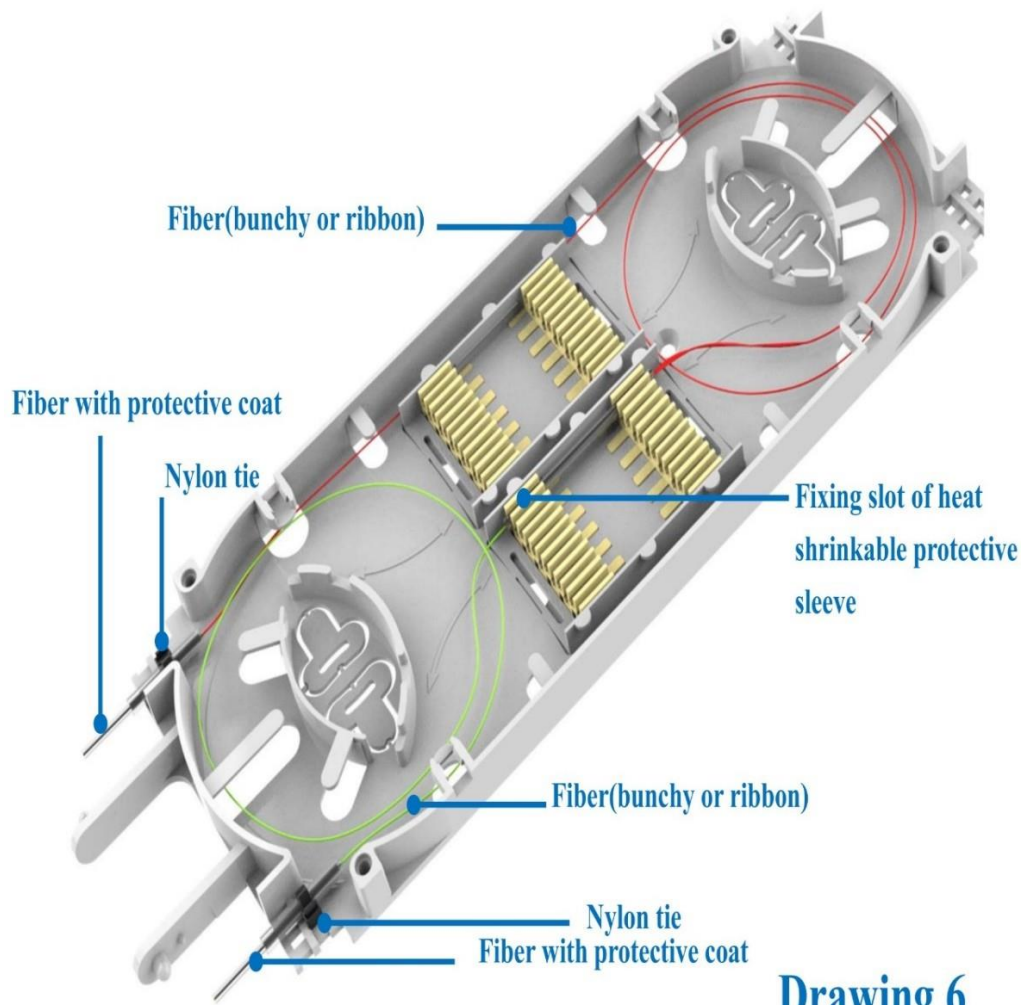


Drawing 2

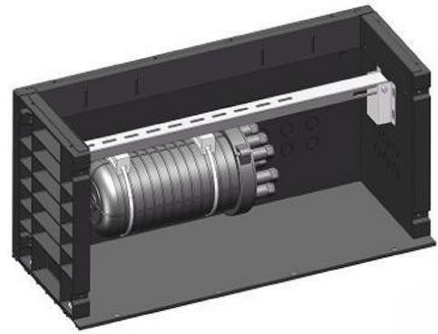


Drawing 6

Strand Overhead application.



Underground application.



Pole application.



Wall mounting application.



Cylindrical Enclosure (Specifications)

Fiber core	Dimension (mm) L x W (Outer dimension)	Cable port	Splice Tray	IP degree
24	526 x 235	3 (Ø12, Ø21)	1 (24c per tray)	68
48	526 x 235	4 (Ø12, Ø21)	2 (24c per tray)	68
96	526 x 235	4 (Ø12, Ø21)	4 (24c per tray)	68
120	526 x 235	6 (Ø12, Ø21)	5 (24c per tray)	68
144	526 x 235	6 (Ø12, Ø21)	6 (24c per tray)	68

Sl.No	Parameter	Max Fiber Capacity	Unit	Particulars
1	Weight		g	Depends on sizes
2	Colour and finish			Black, Matt
3	Cable Glanding			Yes
4	Construction materials and gauge			Engineering polymers
5	Type			Round Cylindrical & Pole mountable.
6	Degree of protection		IP	68
7	Describe sealing method			Mechanical clamp with gasket
8	Accessories required			Fixing bolts & clamps for pole mounting and other required accessories.
Optical fiber cable accommodation				
9	Cable Glanding			Yes
10	Maximum number of cables that can be accommodated			4 to 6 cables
11	Diameter of fiber cable		mm	12 to 21
12	Describe cable entries			Cable gland