

Fig.1.CHAIN LINK FENCING DETAILS

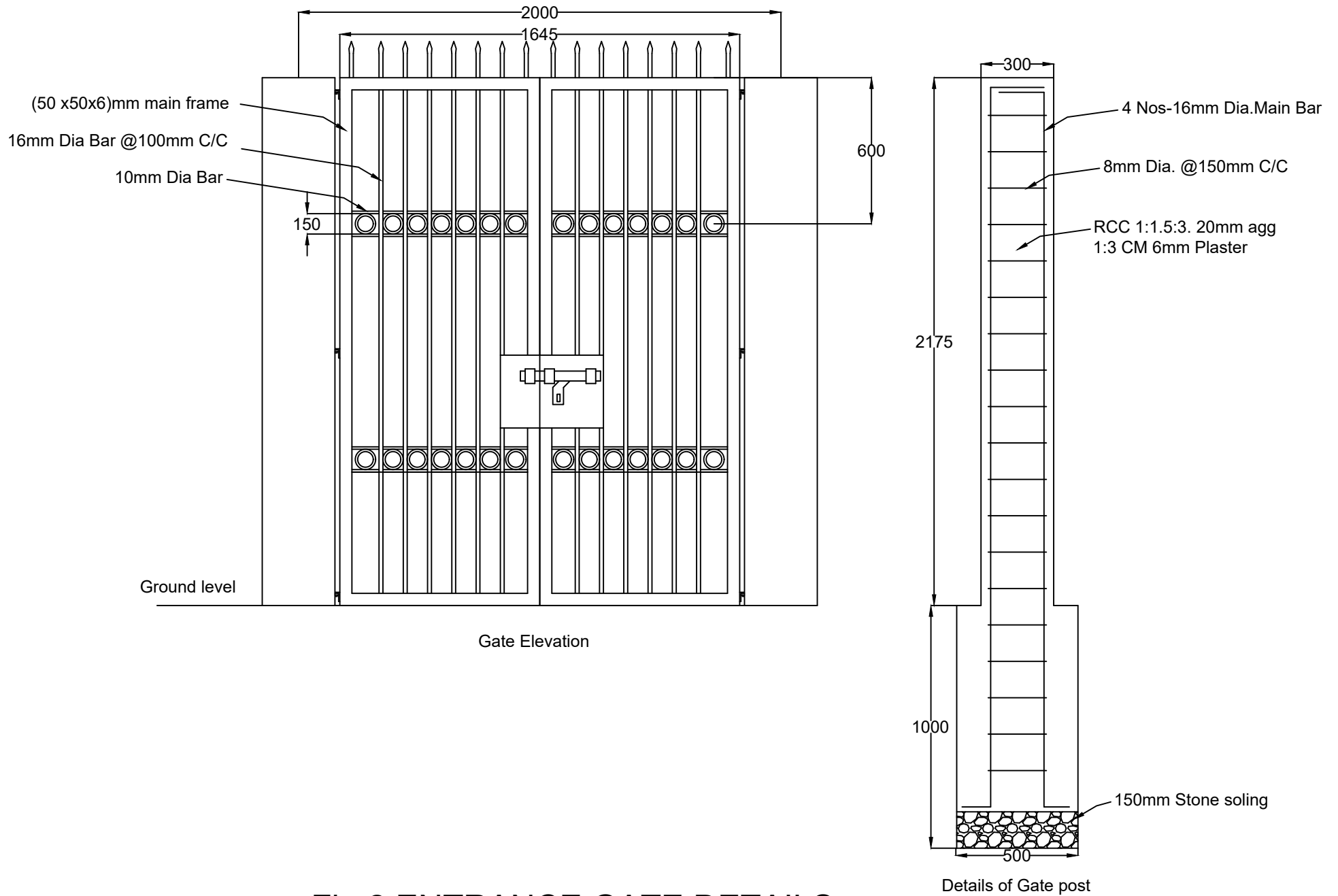
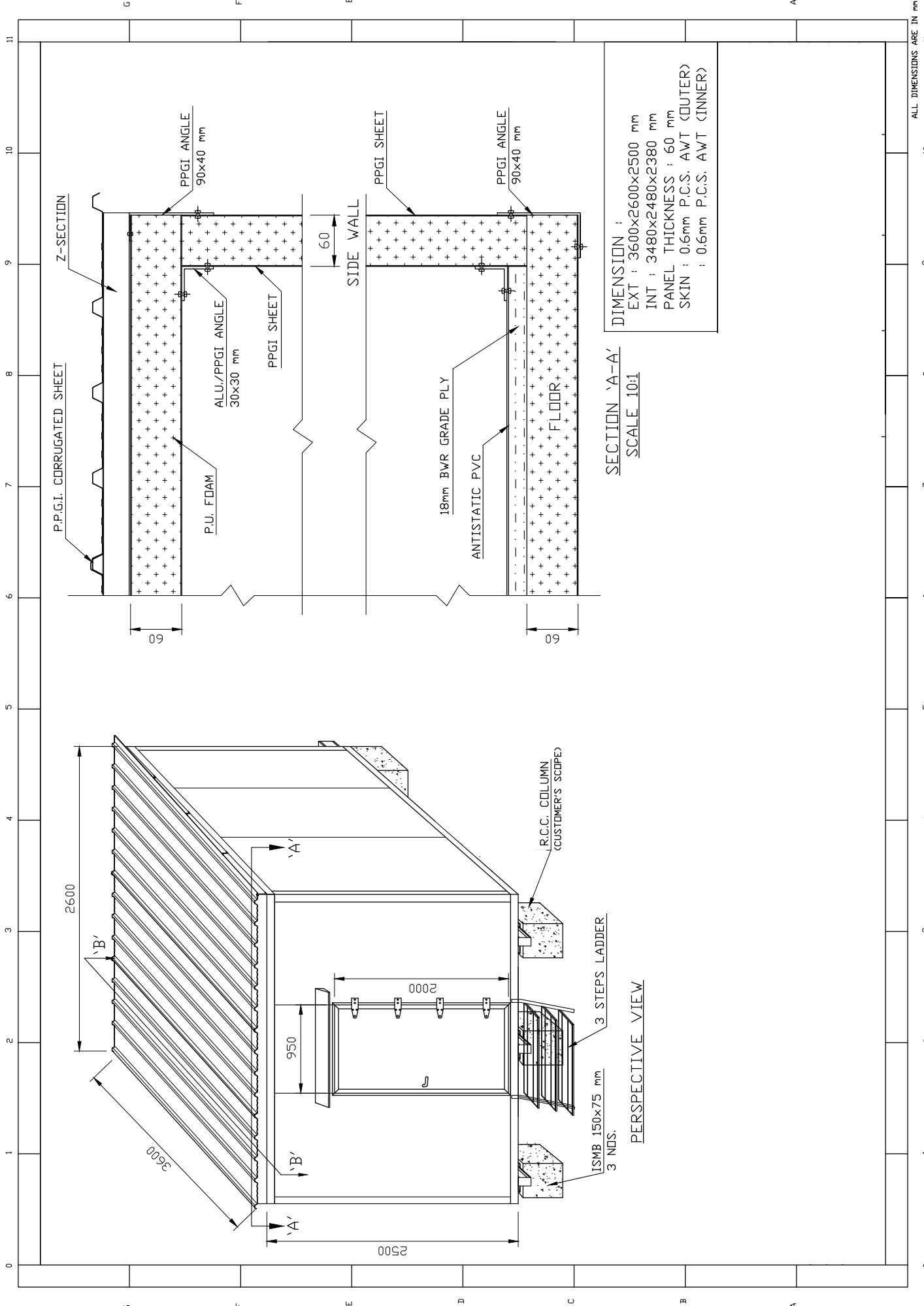


Fig.2.ENTRANCE GATE DETAILS

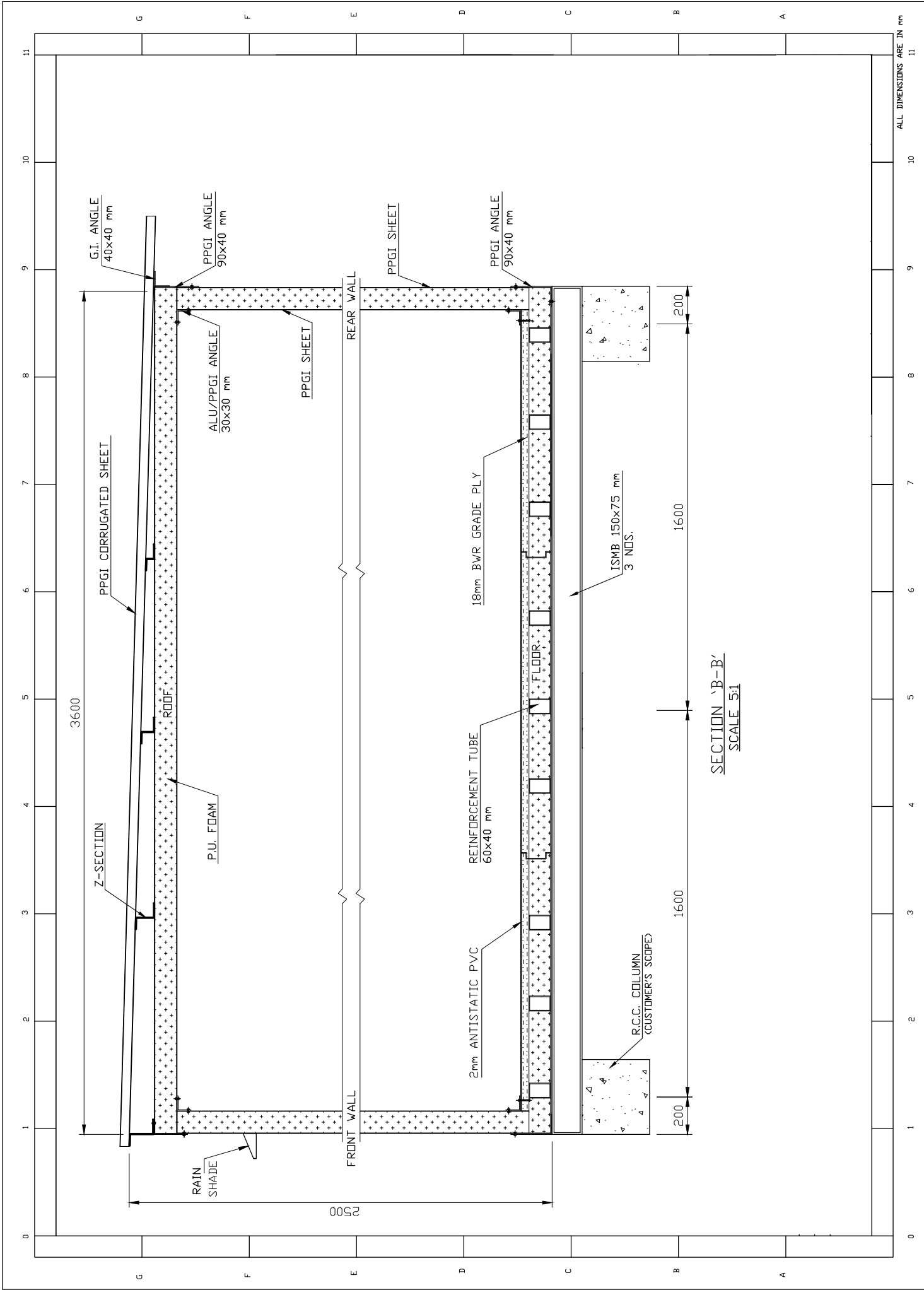


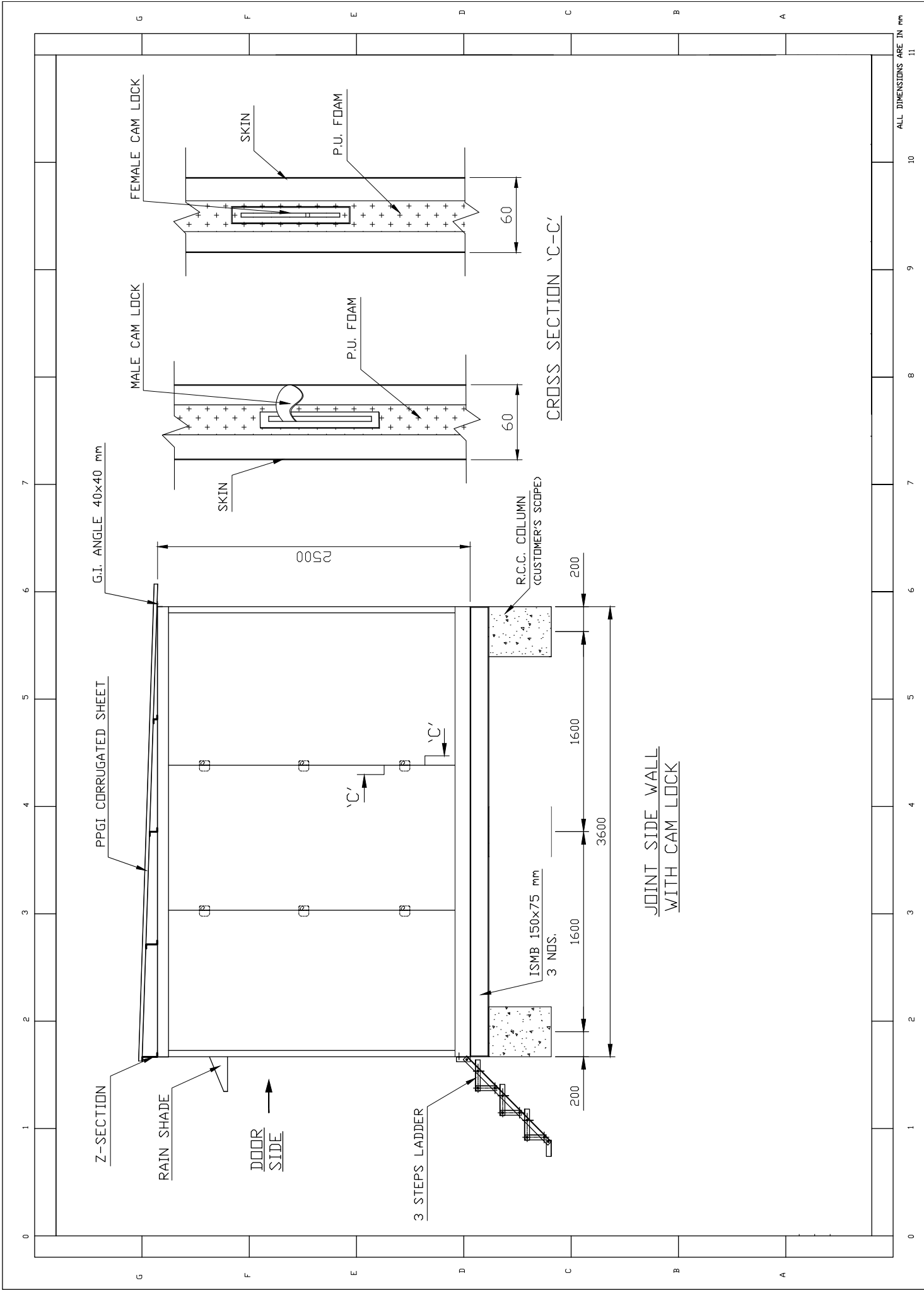
DIMENSION :
 EXT : 3600x2600x2500 mm
 INT : 3480x2480x2380 mm
 PANEL THICKNESS : 60 mm
 SKIN : 0.6mm P.C.S. AWT (OUTER)
 : 0.6mm P.C.S. AWT (INNER)

SECTION 'A-A'
 SCALE 10:1

PERSPECTIVE VIEW

ALL DIMENSIONS ARE IN mm





JOINT SIDE WALL
WITH CAM LOCK

ALL DIMENSIONS ARE IN mm

6

5

4

3

2

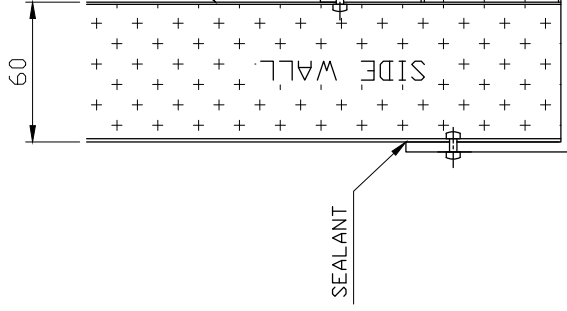
1

0

RAIN SHADE

PPGI CORRUGATED SHEET

Z-SECTION



60

3/16" ALU. POP RIVET

ALU./PPGI ANGLE
30x30 mm

SEALANT

2500

2000

1000

'D'

'D'

ISMB 150x75 mm
3 NOS.

3 NOS.

3 STEPS LADDER

R.C.C. COLUMN
(CUSTOMER SCOPE)

2600

FRONT VIEW

SECTION 'D-D'

(SCALE 10:1)

69

PPGI SHEET

PPGI ANGLE

SEALANT BETWEEN
ANGLE & PANEL

PPGI ANGLE
90x40 mm

G F E D C B A

ALL DIMENSIONS ARE IN mm

10

9

8

7

6

5

4

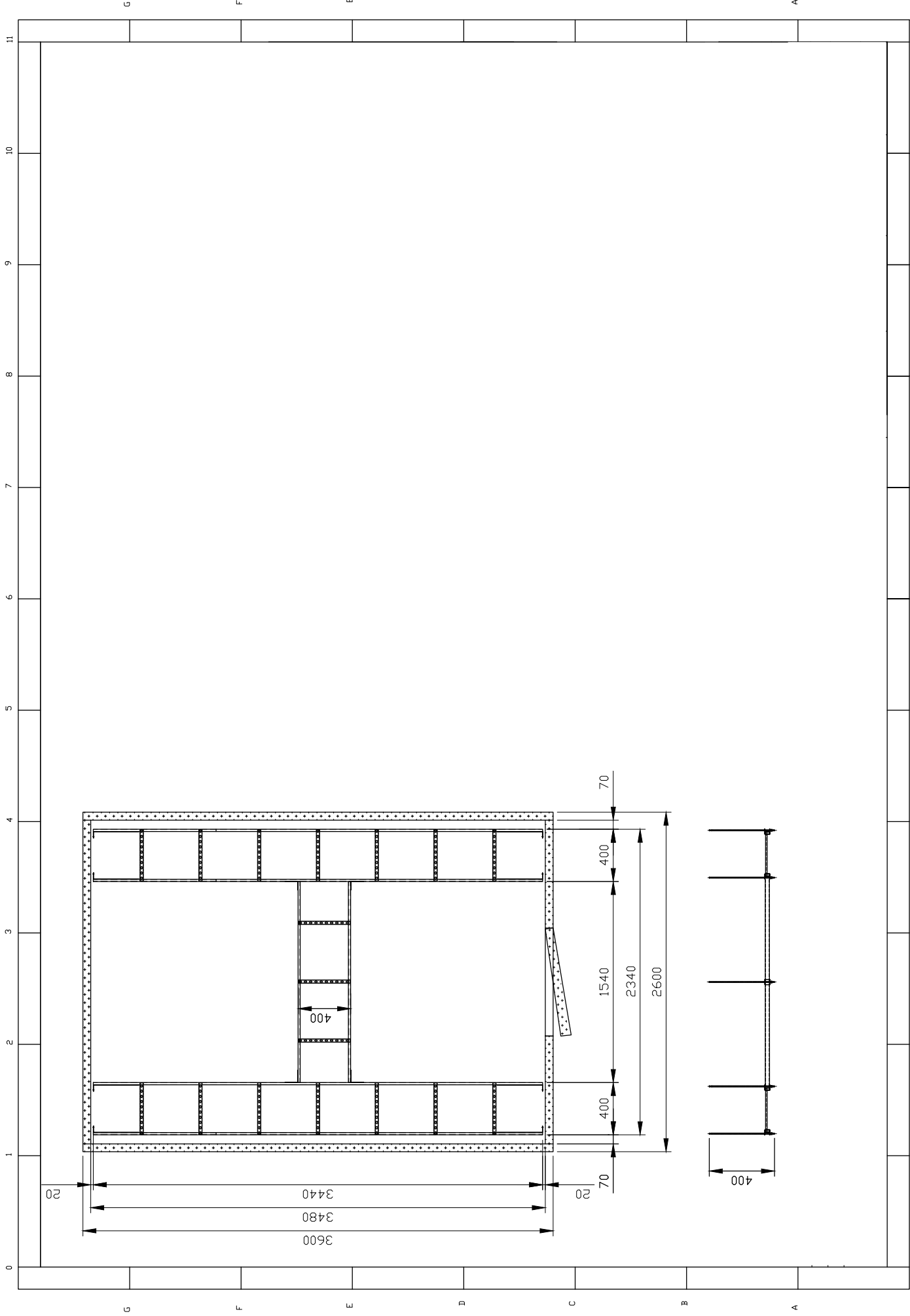
3

2

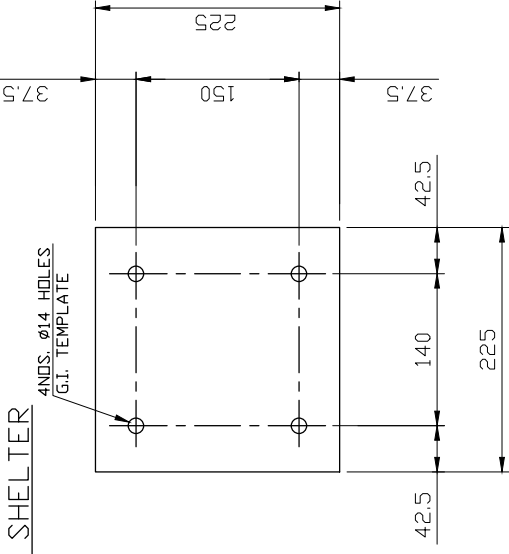
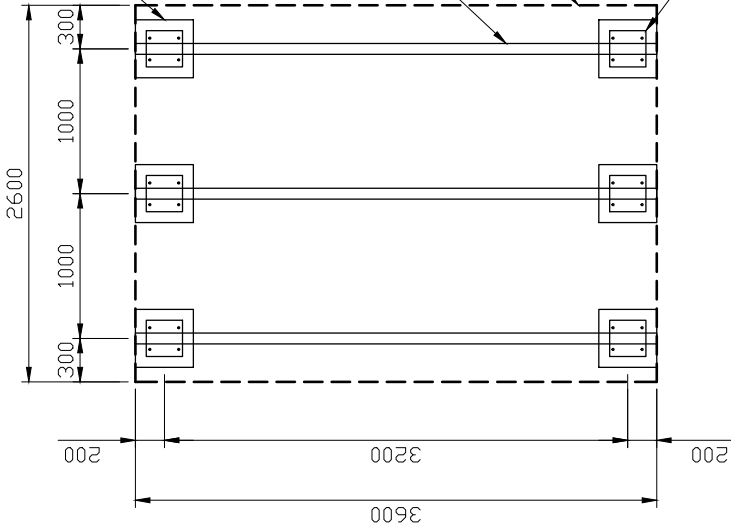
1

0

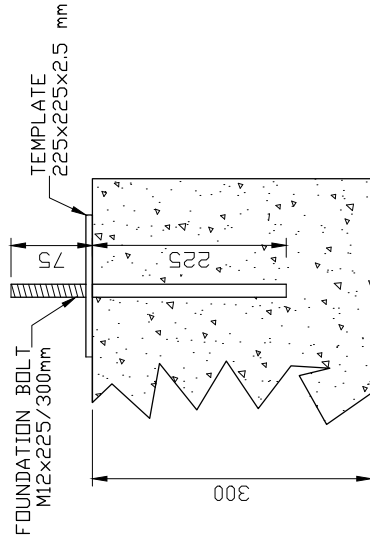
ALL DIMENSIONS ARE IN mm



FOUNDATION DETAILS FOR PREFAB SHELTER
ROOF TOP SHELTER



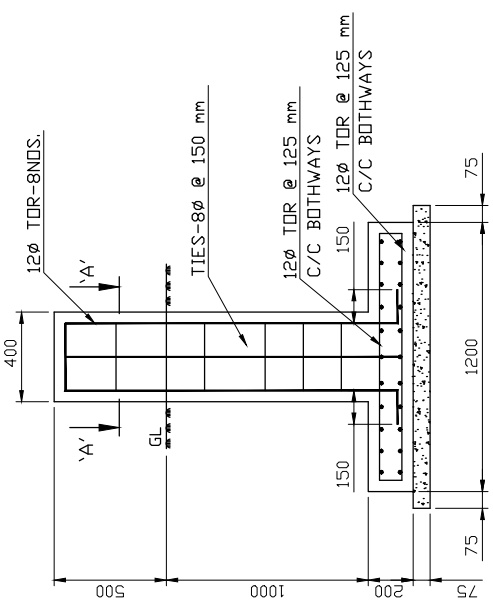
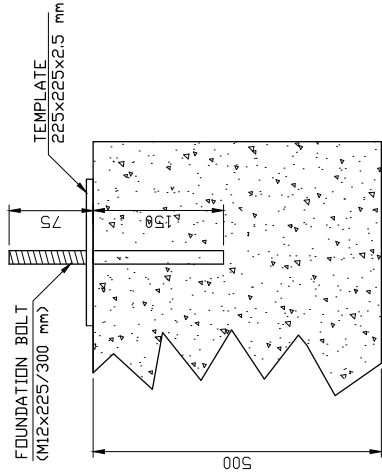
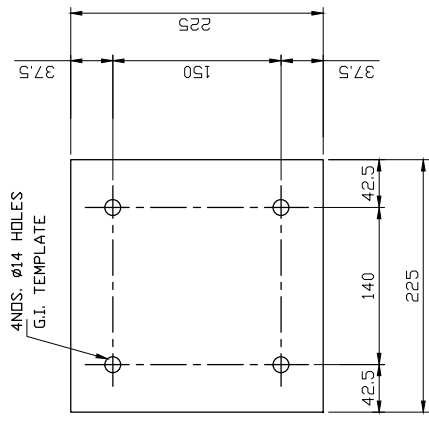
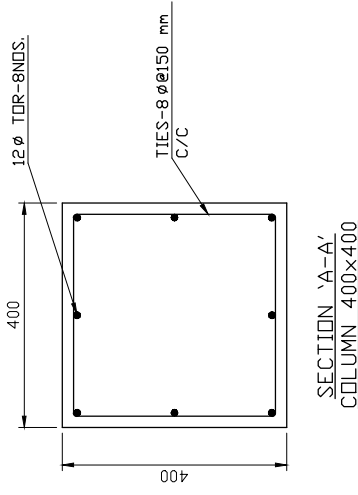
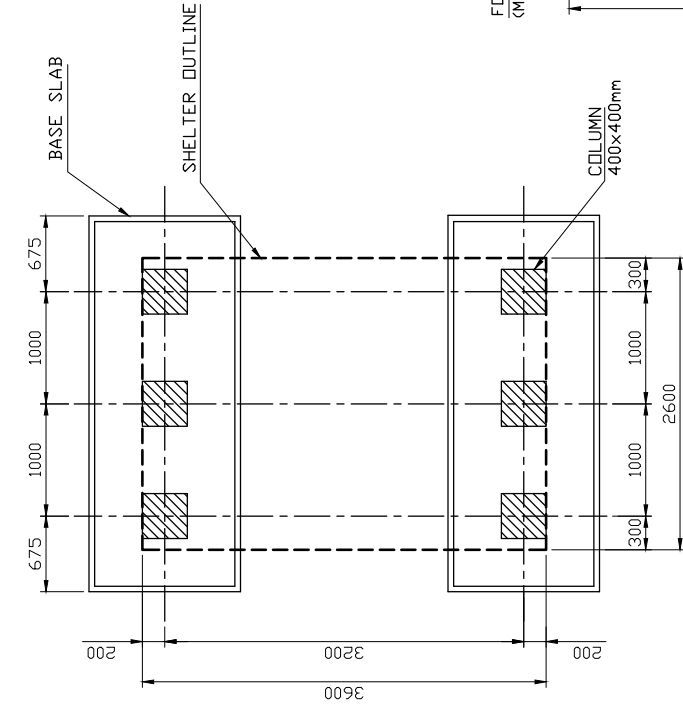
TEMPLATE 225x225x2.5 mm



FOUNDATION BOLT
INSERTED IN R.C.C. COLUMN

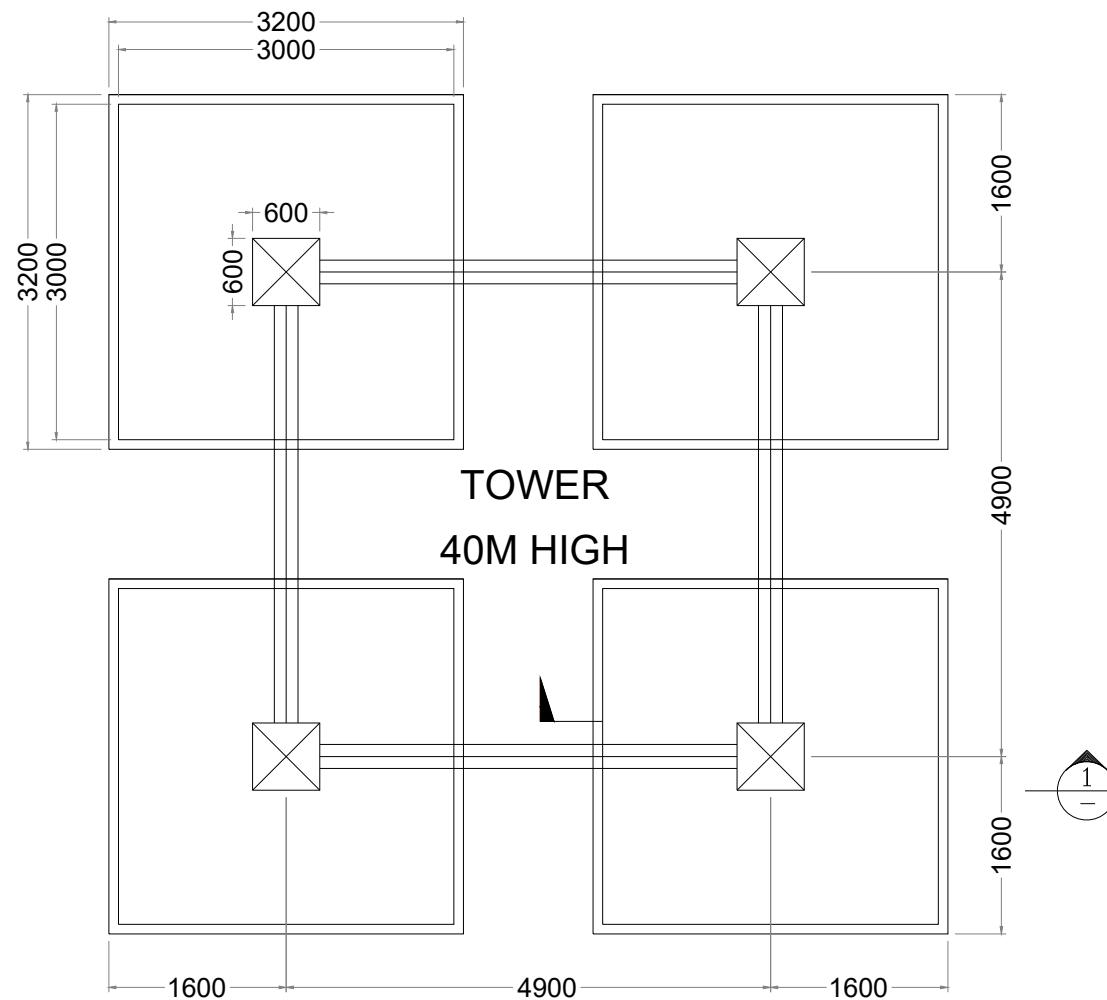
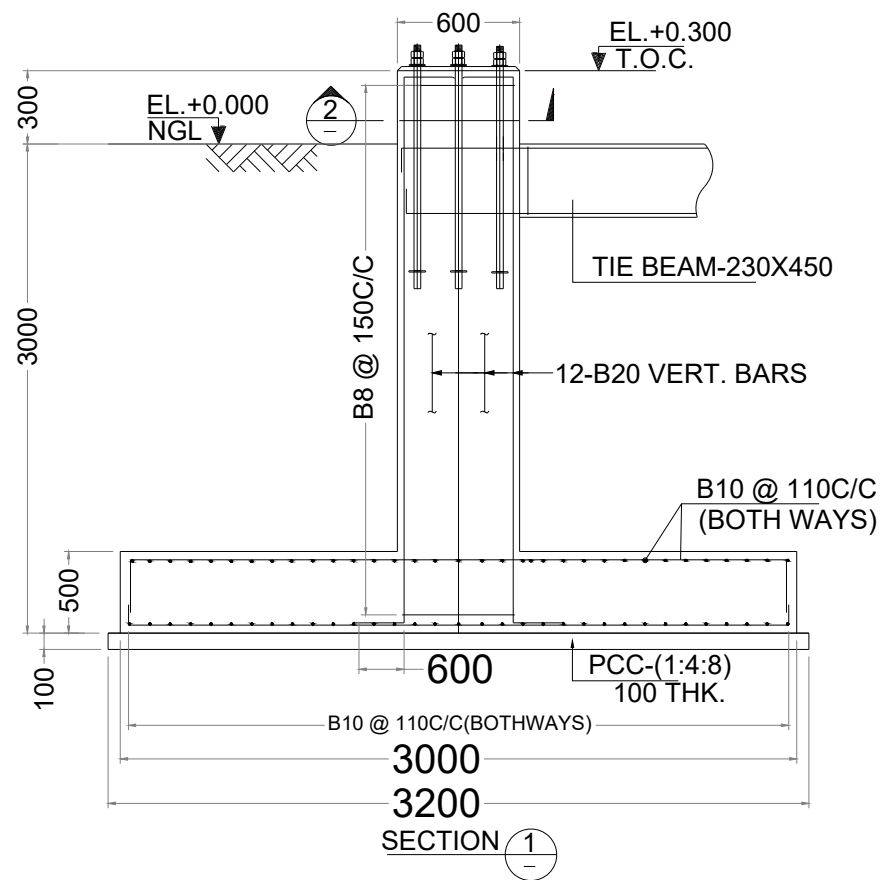
SKID MOUNTING ON R.C.C COLUMN

**FOUNDATION DETAILS FOR PREFAB SHELTER
GROUND BASED SHELTER**

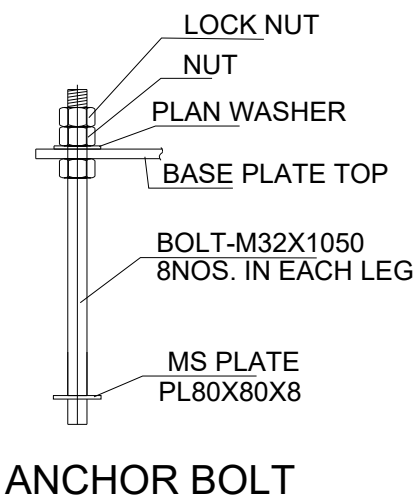


**FOUNDATION BOLT
INSERTED IN R.C.C. COLUMN**

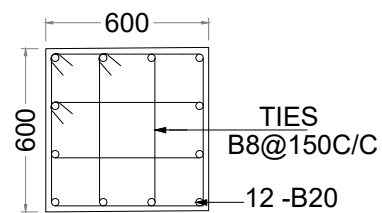
- NOTES :-**
1. PCC SHALL BE OF GRADE M10.
 2. CONCRETE MIX SHALL BE OF GRADE M20 (1:1.5:3)
 3. REINFORCEMENT SHALL BE TOR BARS OF GRADE FE415



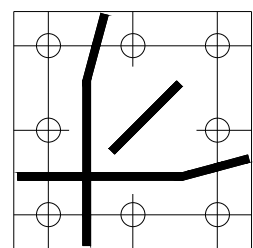
FOUNDATION KEY PLAN



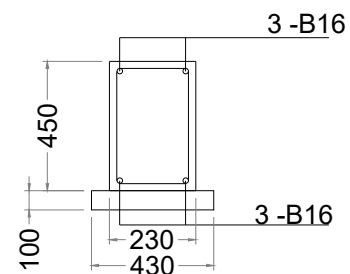
ANCHOR BOLT



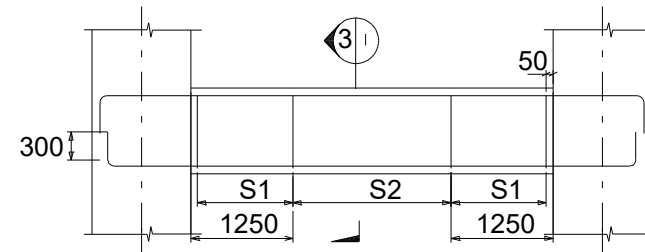
SECTION 2
COLUMN 600X600



BASE PLATE



SECTION 3



TIE BEAM (TYP DETAILS)

STIRRUP DETAILS
 S1:-2 LEGGED Y8 @ 100 C/C
 S2:-2 LEGGED Y8 @ 200 C/C

NOTES

- ALL DIMENSIONS ARE IN MM UNLESS NOTED OTHERWISE.
- USE M20 GRADE CONCRETE AND Fe 415 GRADE FOR STEEL.
- CLEAR COVER TO MAIN REINFORCEMENT:-
 (a) 50MM FOR FOUNDATION (b) 25MM FOR BEAMS
 (c) 40MM FOR COLUMNS
- PRIOR TO AND DURING CONCRETING ALL BOLTS SHALL BE SECURELY HELD IN POSITION BY USE OF TEMPLATE.
- BEFORE COMMENCEMENT OF CONSTRUCTION USING THIS DESIGN, CLIENT/CONTRACTOR SHALL CARRY OUT DETAILED SOIL INVESTIGATION OF EVERY SITE.
- THIS FOUNDATION DESIGN SHALL NOT BE USED IN CASE HIGHLY SOIL ARE FOUND AT ANY DEPTH DURING SOIL INVESTIGATION.
- CONCRETE SHALL BE MECHANICALLY MIXED & VIBRATED.
- SPLICING OF BARS SHALL NOT BE MORE THAN 50% AT ANY LOCATION.
- PROPER CURING OF CONCRETE SHALL BE DONE.
- BENDING OF BARS SHALL BE AS PER IS:2502.
- ANY DISCREPANCY SHOULD BE BROUGHT TO THE CONSULTANT'S ATTENTION.

GENERAL DETAILS

S.No	DESCRIPTION	DETAILS
1	SOIL BEARING CAPACITY	10.00 T/SQM
2	DRY DENSITY OF SOIL	1.8 T/SQM
3	ANGLE OF REPOSE	30.00 DEGREE

BILL OF MATERIALS

ITEM	UNIT	TOTAL
EXCAVATION	CUM	131.0
PCC-(1:4:8)	CUM	4.85
RCC-M20	CUM	23.81
STEEL-Fe415	KG	2180

CHAIRS SHALL BE PROVIDED WHEREEVER REQUIRED

REVISION NOTES

REV. NO.	DESCRIPTION	DATE	SIGN.
DRAWN	CHECKED	APPROVED	DATE
S.K.Chauhan	MOHIT GUPTA	MOHIT GUPTA	25-01-2024

CLIENT: **BHUTAN TELECOM LTD.**
BHUTAN
 DESIGN BY: **ICON POWER SOLUTIONS PVT. LTD.**
GURGAON
 PROJECT: **GENERIC ISOLATED FOUNDATION DESIGN**
BHUTAN

TITLE: **FOUNDATION DETAILS FOR 40M HIGH SQUARE TOWER**
SBC : 10 T/SQM

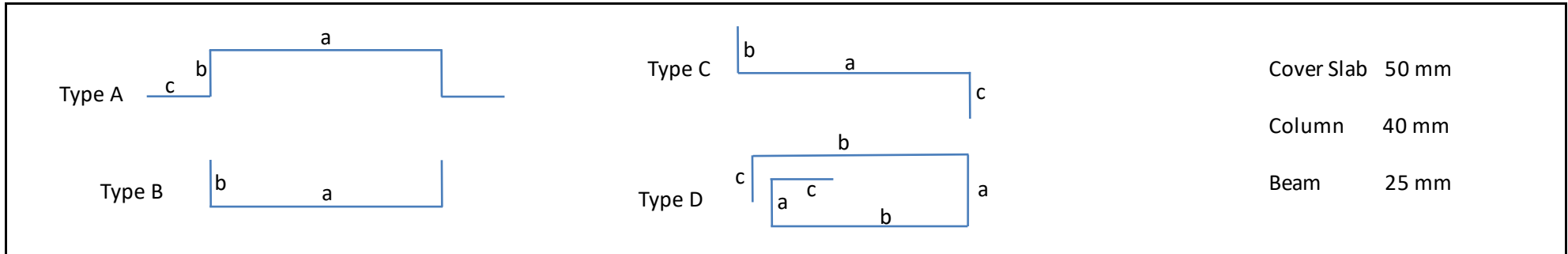
DRAWING No.	SH. NO.	REV.
AGD-436		



ICON POWER SOLUTIONS PVT LTD

112 113, Sector 5, IMT Manesar, Gurgaon -122050, Haryana - INDIA

40 Mtr 4L Tower Bar Bending Schedule



Item	Position	Type	Dia. Of Rebar (mm)	Size	Size	Size	Length (mm)	Qty in Nos both ways or total	Unit wt (kg/m)	Total Weight of (kg)
				a (mm)	b (mm)	c (mm)				
Raft Slab	Top	B	B10	2900	300	-	3500	224	0.62	486.08
	Bottom	B	B10	2900	300	-	3500	224	0.62	486.08
Tie Beams	Top	B	B16	5400	300	-	6000	12	1.58	113.76
	Bottom	B	B16	5400	300	-	6000	12	1.58	113.76
	Strips	D	B8	180	400	80	1320	128	0.40	67.58
Column	Main	C	B20	3200	480	600	4280	48	2.47	507.44
	Ties	D	B8	520	520	80	2240	88	0.40	78.85
		D	B8	520	200	80	1600	352	0.40	225.28
Total (Approx. 0.5% extra considered)										2180.00

* Chairs Shall be Provided whenever required

Notes :

1. Dimensions of Bars are along the Center Lines.
3. Splicing of Bars should not be more than 50%. Length of splice as per Standards.

