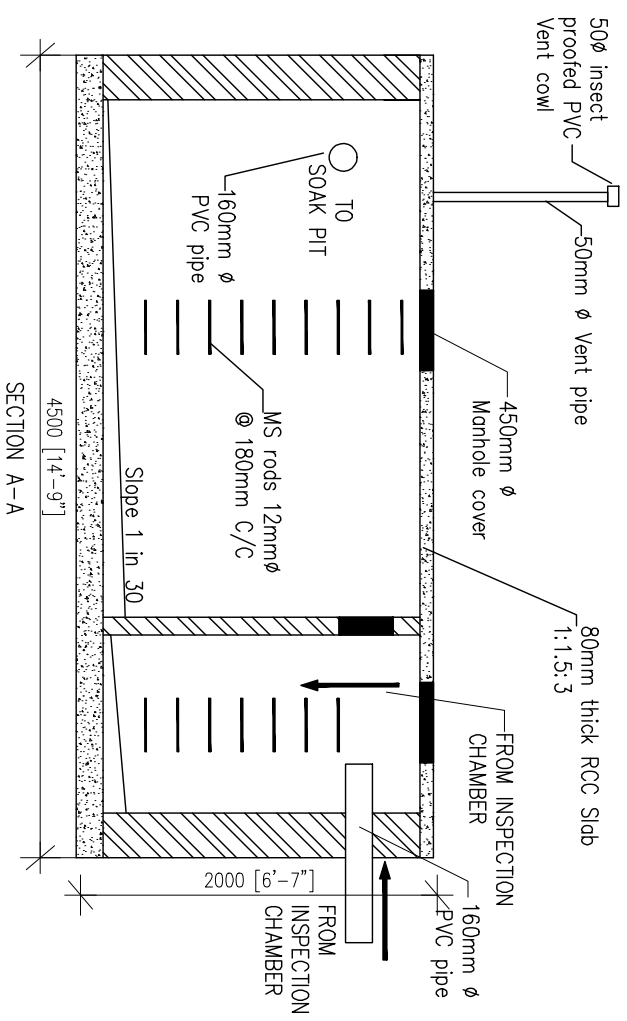


NOTE : THE REINFORCEMENT LAYOUT IS AS FOLLOWS:
 12mm ϕ @100mm C/C along both the directions,
 Clear cover : 30mm



Bhutan Telecom Ltd. Thimphu.

PROJECT: Staff Qtr Septic Tank Taju

Title: As Stated in the Drawing

Design & Drawn by:

Pema wangdi
 Civil Engineering Section.

Date: Nov. 2010

Revision No. 0

Scale: NTS

Rev Date:

Approved by:

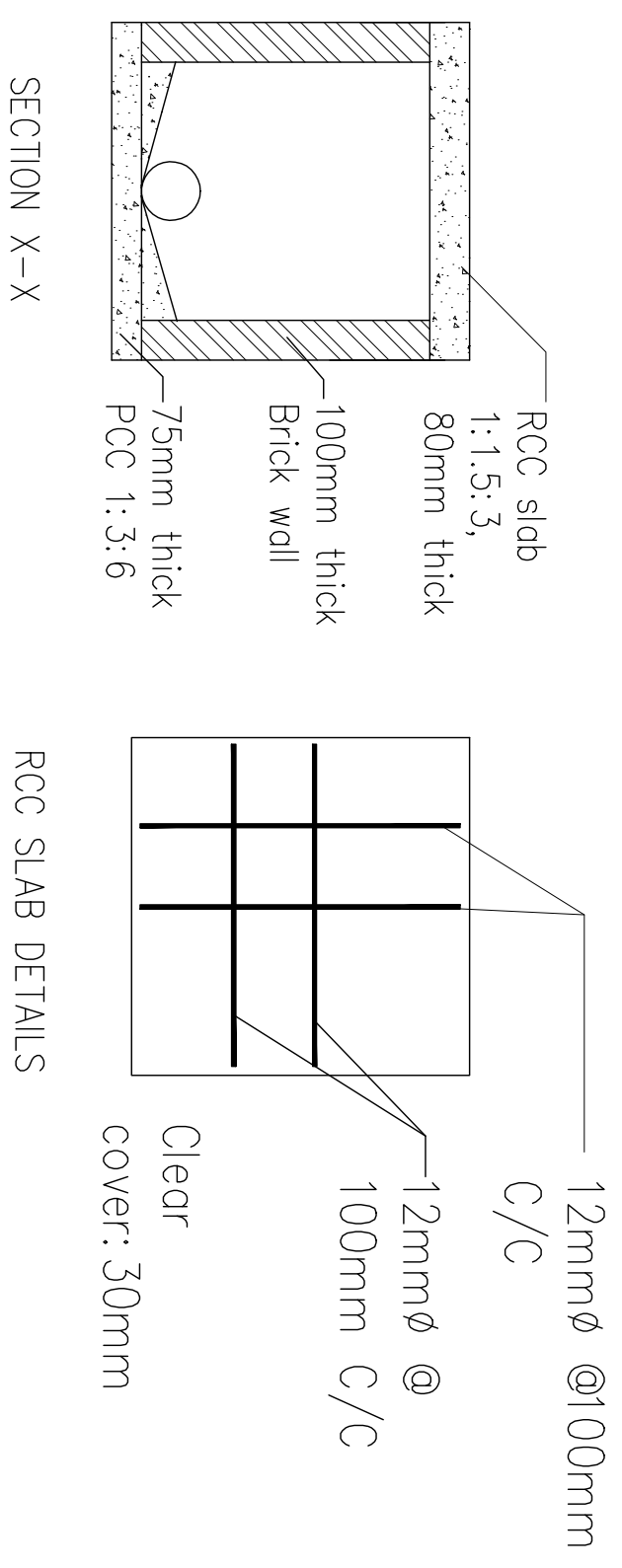
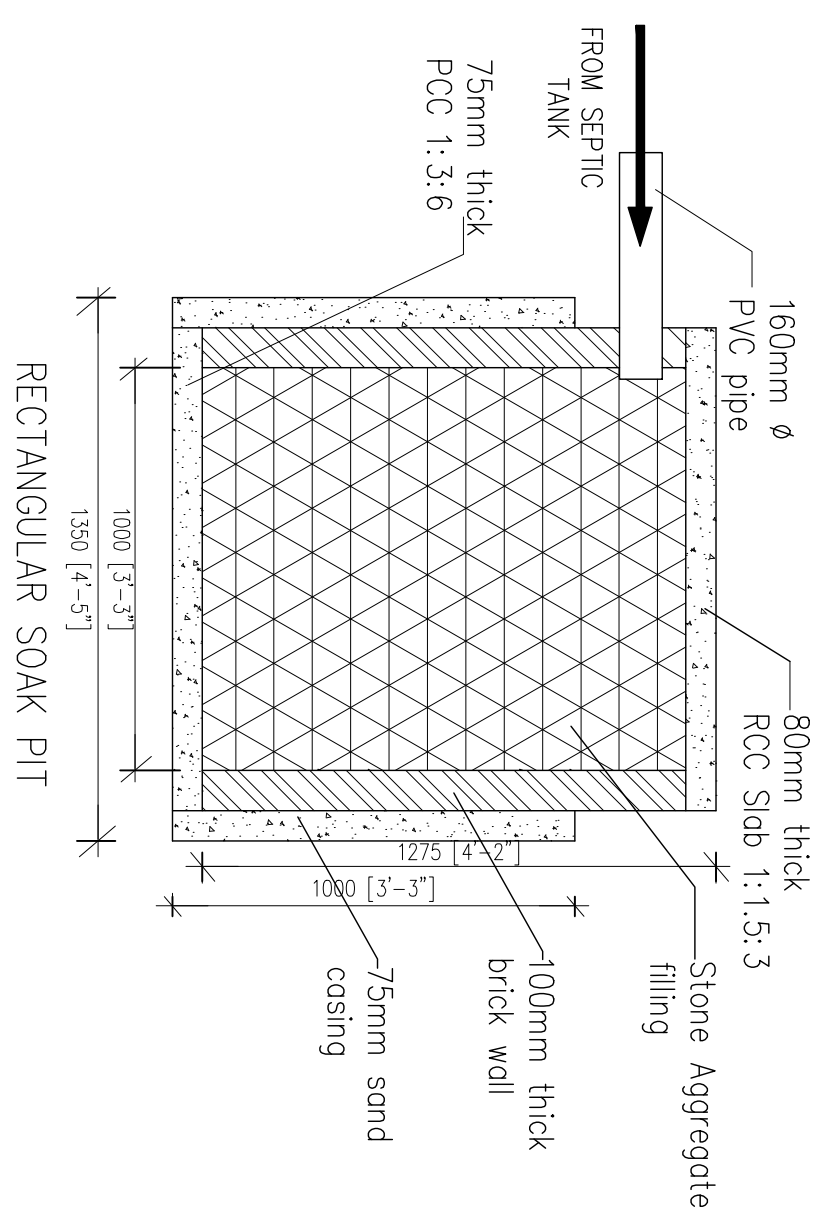
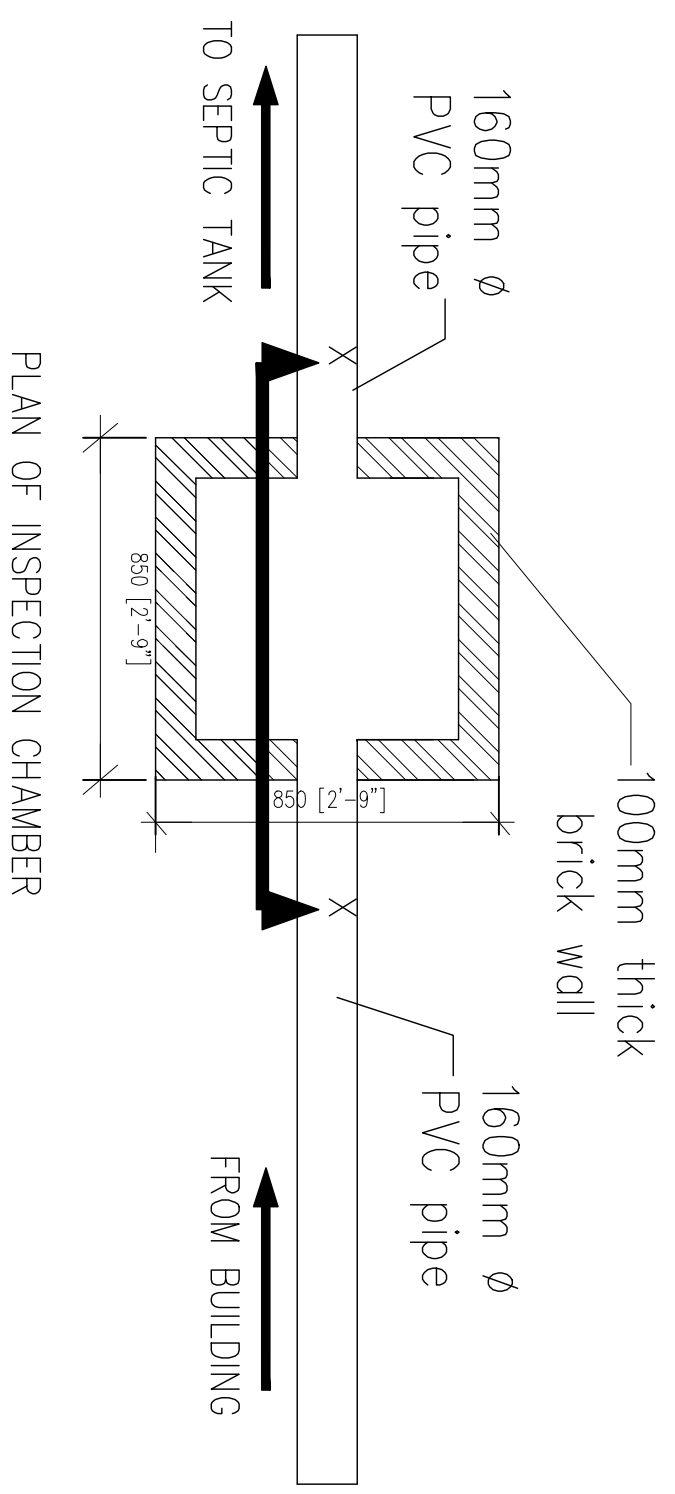
Manager,
 Civil Engineering Section.

North



**Drawing No.
 SWG - 02**

Notes:
 All dimensions are in mm unless specified otherwise
 All relative levels are in meters unless specified otherwise
 All dimensions measure unfinished surfaces unless specified otherwise
 Any discrepancy in drawing is to be brought to the immediate notice of the Architect/ Engineer



Bhutan Telecom Ltd. Thimphu.

Title: As Stated in the Drawing

Design & Drawn by:

Pema wangdi
Civil Engineering Section.

Date: Nov. 2010

Scale: NTS

Approved by:

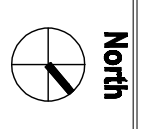
Manager,
Civil Engineering Section.

Revision No. 0

Rev Date:

PROJECT: Staff Qtr SoakPit Taju

Notes:
All dimensions are in mm unless specified otherwise
All relative levels are in meters unless specified otherwise
All dimensions measure unfinished surfaces unless specified otherwise
Any discrepancy in drawing is to be brought to the immediate notice of the Architect/ Engineer



Drawing No. SWG - 02