


PROJECT	LOCATION	DRAWING		ENGINEEER
Construction of 350m Wind barricade	Thangu sand stock, Sha Region	Wind Barricade detailed elevation	TWB-01	BISHAL SUBBA NRDCL, HO
	Note: • Drawings are to be read only and not to be measured. • All dimensions are in millimeters unless stated otherwise.	When in doubt, please ask, do not assume.	Scale: NTS	

Notes

Numbers in 7.265m

Length = 7.265 m

No of ms circular = 5

No of CGI sheet = 4

No of isolated footing = 4

No of combined footing = 1

No of screw = 30

Total Length of Barricade = 250m

Total No of ms circular = 173

Total no of CGI sheet = 138

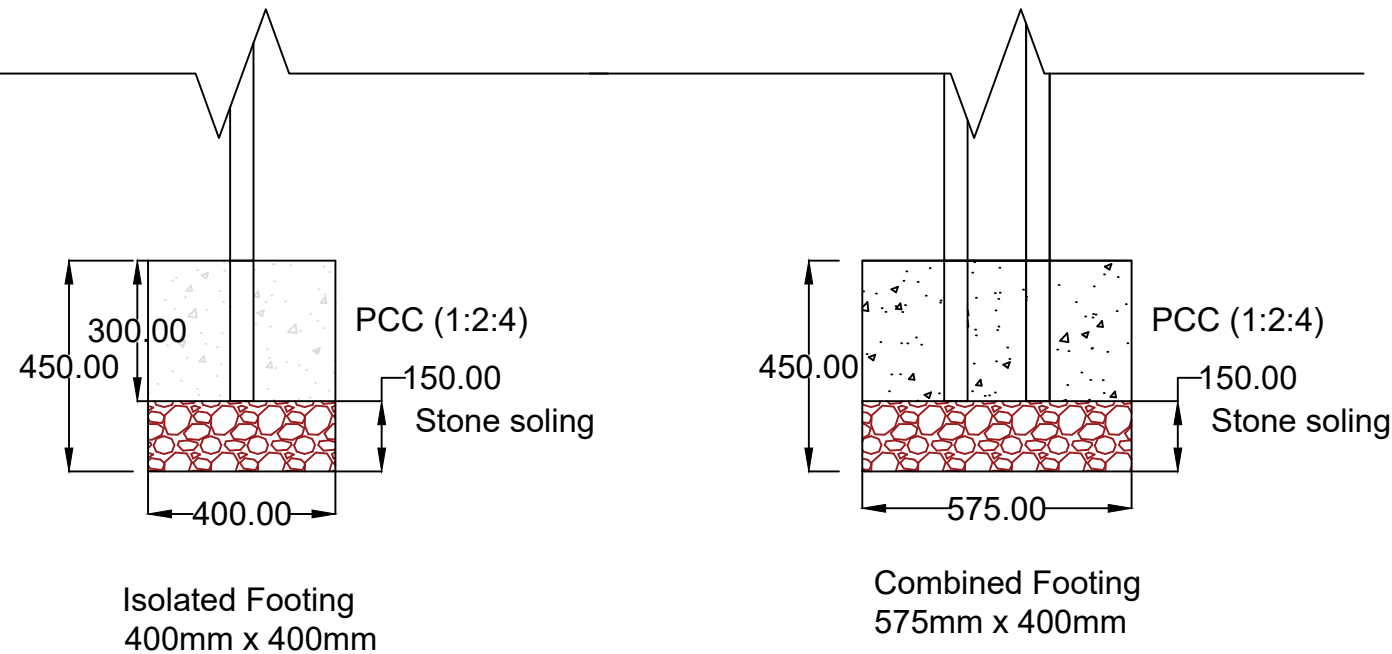
Total no of isolated footing = 138

Total no of combined footing = 35

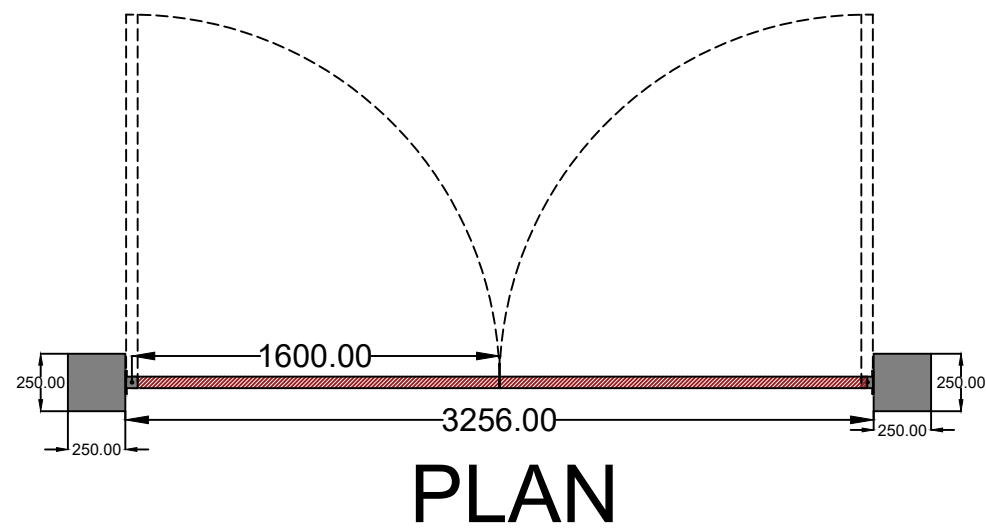
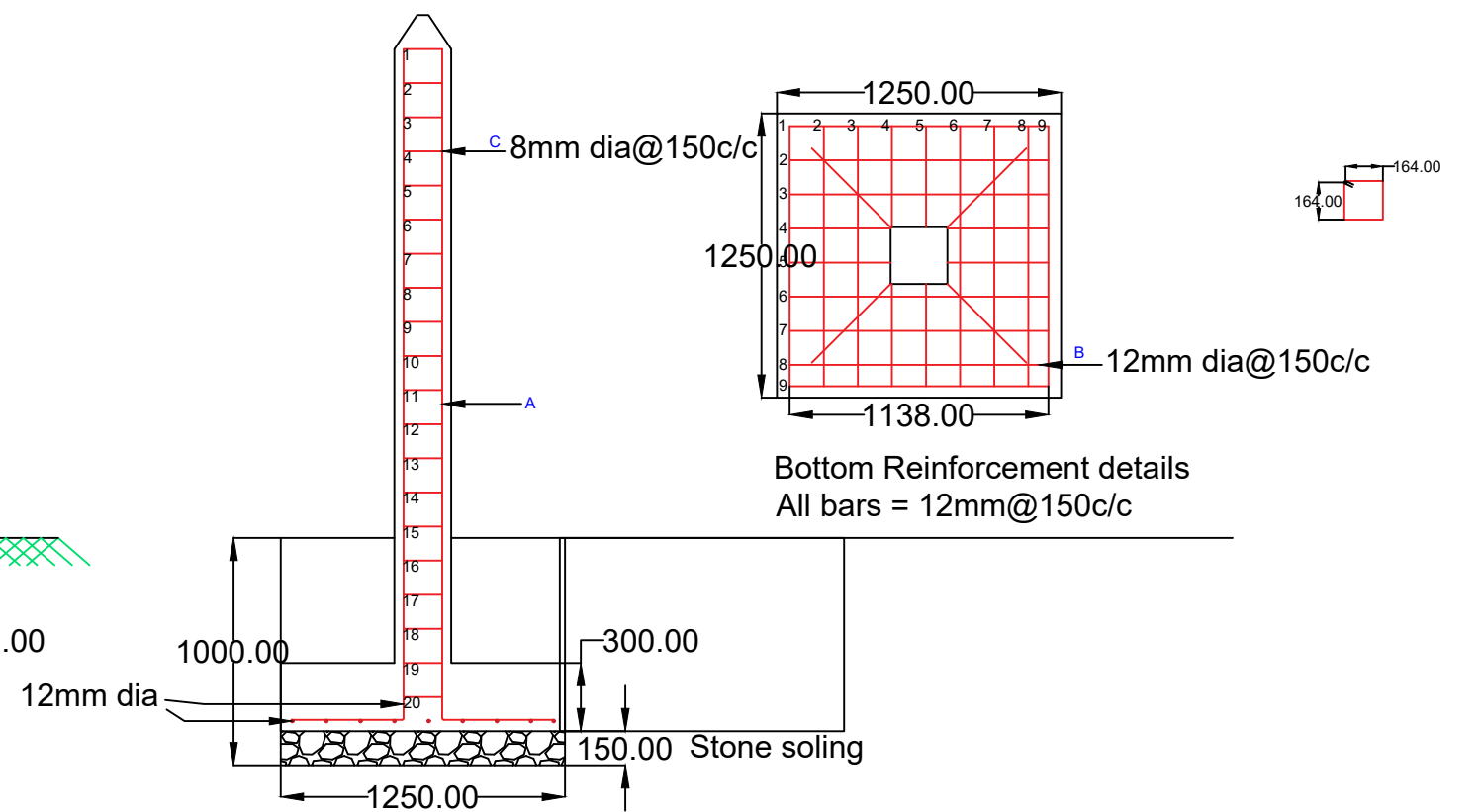
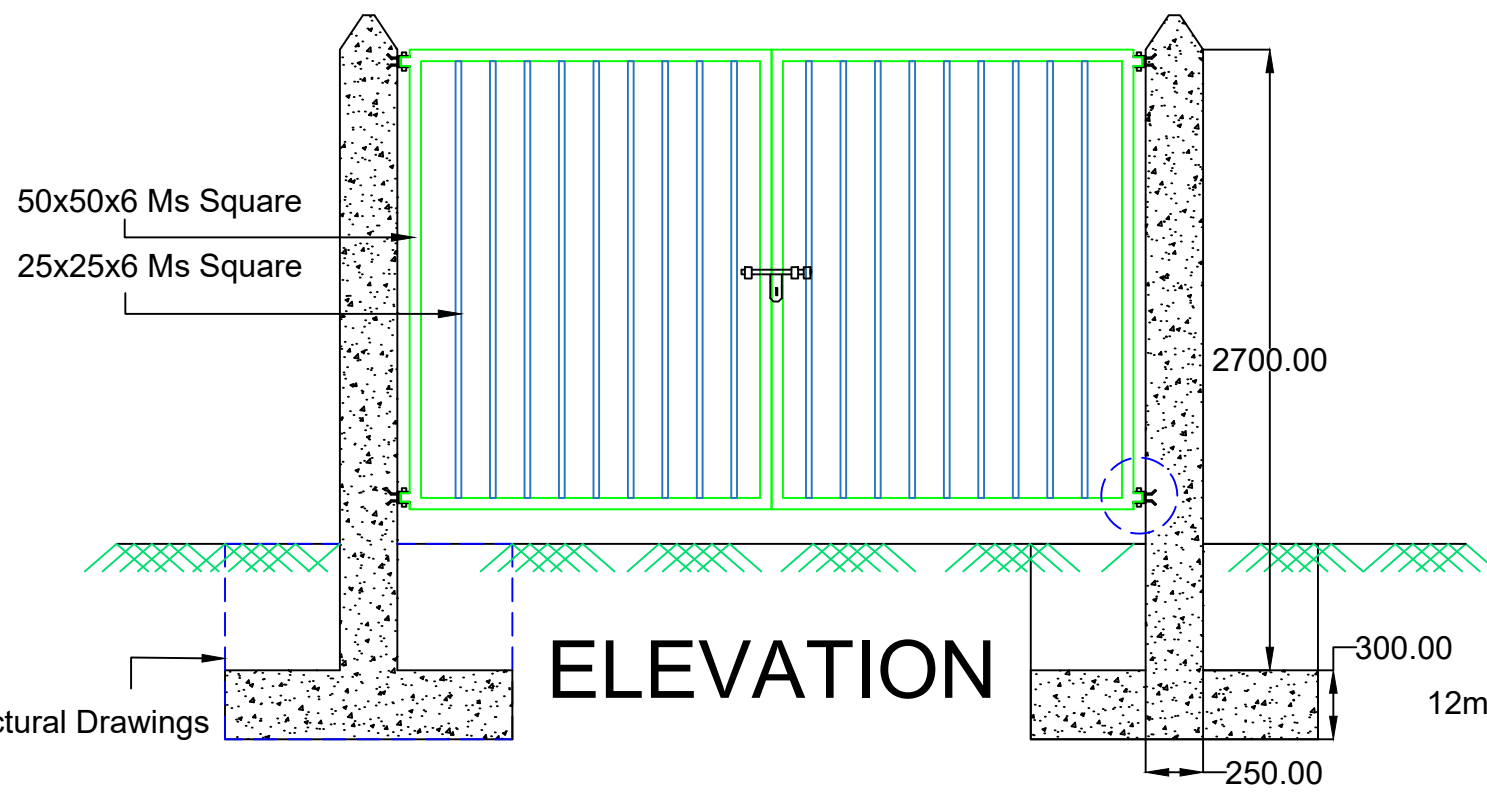
Total no of screw = 1033


CGI sheet size = 12ft x 3ft

MS circular = 50mm dia, Length = 3m



PROJECT	LOCATION	DRAWING		ENGINEER
Construction of 350m Wind barricade	Thangu sand stock, Sha Region	Footing details	TWB-02	BISHAL SUBBA NRDCL, HO
	<small>Note:</small> <ul style="list-style-type: none"> • Drawings are to be read only and not to be measured. • All dimensions are in millimeters unless stated otherwise. 	When in doubt, please ask, do not assume.	Scale: NTS	



PROJECT	LOCATION	DRAWING		ENGINEER
Construction of 350m Wind barricade	Thangu sand stock, Sha Region	Gate details	TWB-02	BISHAL SUBBA NRDCL, HO
	<p>Note:</p> <ul style="list-style-type: none"> Drawings are to be read only and not to be measured. All dimensions are in millimeters unless stated otherwise. 	When in doubt, please ask, do not assume.		
		Scale: NTS		